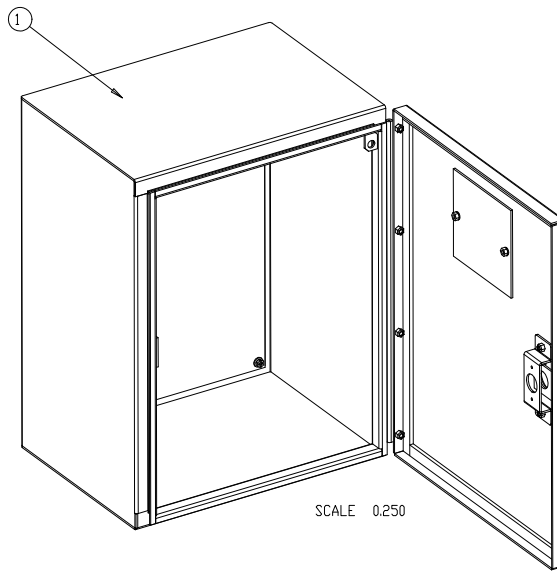
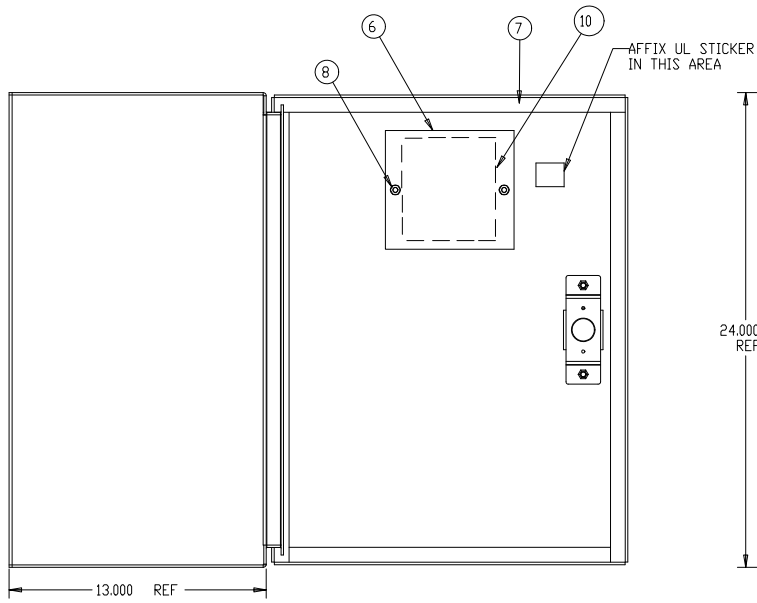


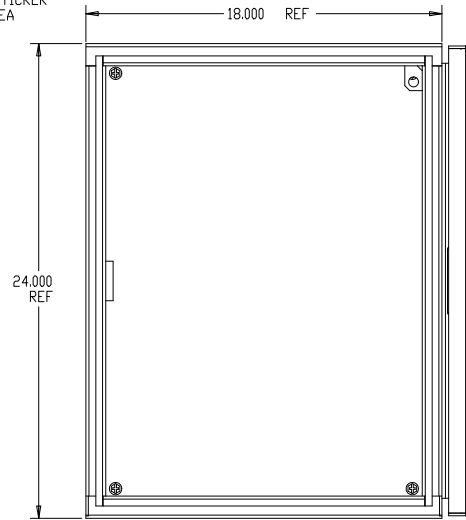
REVISIONS					
REV	ECN	DESCRIPTION	DRAFT	DATE	CHKD
1	15538	RELEASE TO BOM	AMHJ	3/24	AMHJ
2	15525	DELETE ITEM #9	DAK	10/04	AMHJ
3	15503	ADDED AFFIXUL STICKER	JKA	8/10	BMK



SCALE 0.250

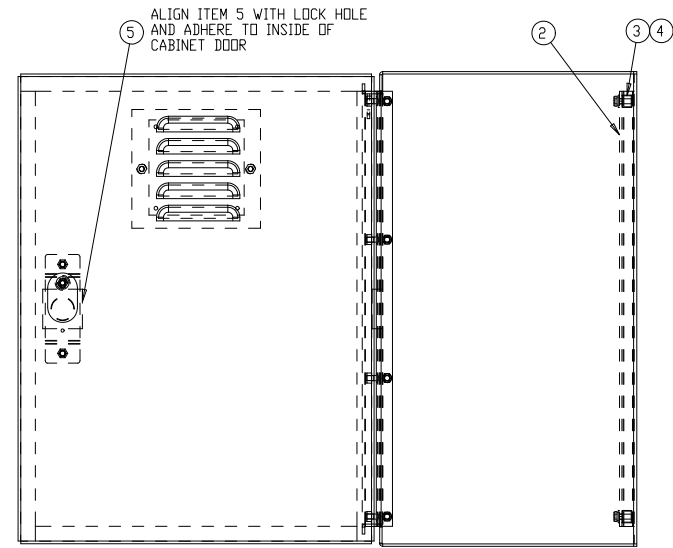


AFFIX UL STICKER IN THIS AREA



SCALE 0.300

PLACE ITEM 10 BETWEEN ITEM 6 AND DOOR



ALIGN ITEM 5 WITH LOCK HOLE AND ADHERE TO INSIDE OF CABINET DOOR

THE INFORMATION CONTAINED HEREIN IS THE PROPRIETARY PROPERTY OF SIEMENS INDUSTRY INC. AND IS DISCLOSED WITH THE UNDERSTANDING IT WILL BE RETAINED IN CONFIDENCE AND WILL NEITHER BE DUPLICATED NOR COPIED IN WHOLE OR PART NOR BE USED FOR ANY PURPOSE OTHER THAN THAT FOR WHICH DISCLOSED.

SIEMENS		DES ENGR AMHJ 3/24	DWG TITLE
MATERIAL & FINISH		CHECKED BY AMHJ 3/24	UL APPROVED
SEE BOM		DRAWN AMHJ 3/24	FLASHER CABINET
		TOLERANCES UNLESS OTHERWISE SPECIFIED	SIZE
		XXX = ±0.02	D
		XXXX = ±0.005	DWG No
		ANGLES = ±0.5°	FC121
			SHEET 1 OF 1
			REV
			3