

Ocean State Signal Co.

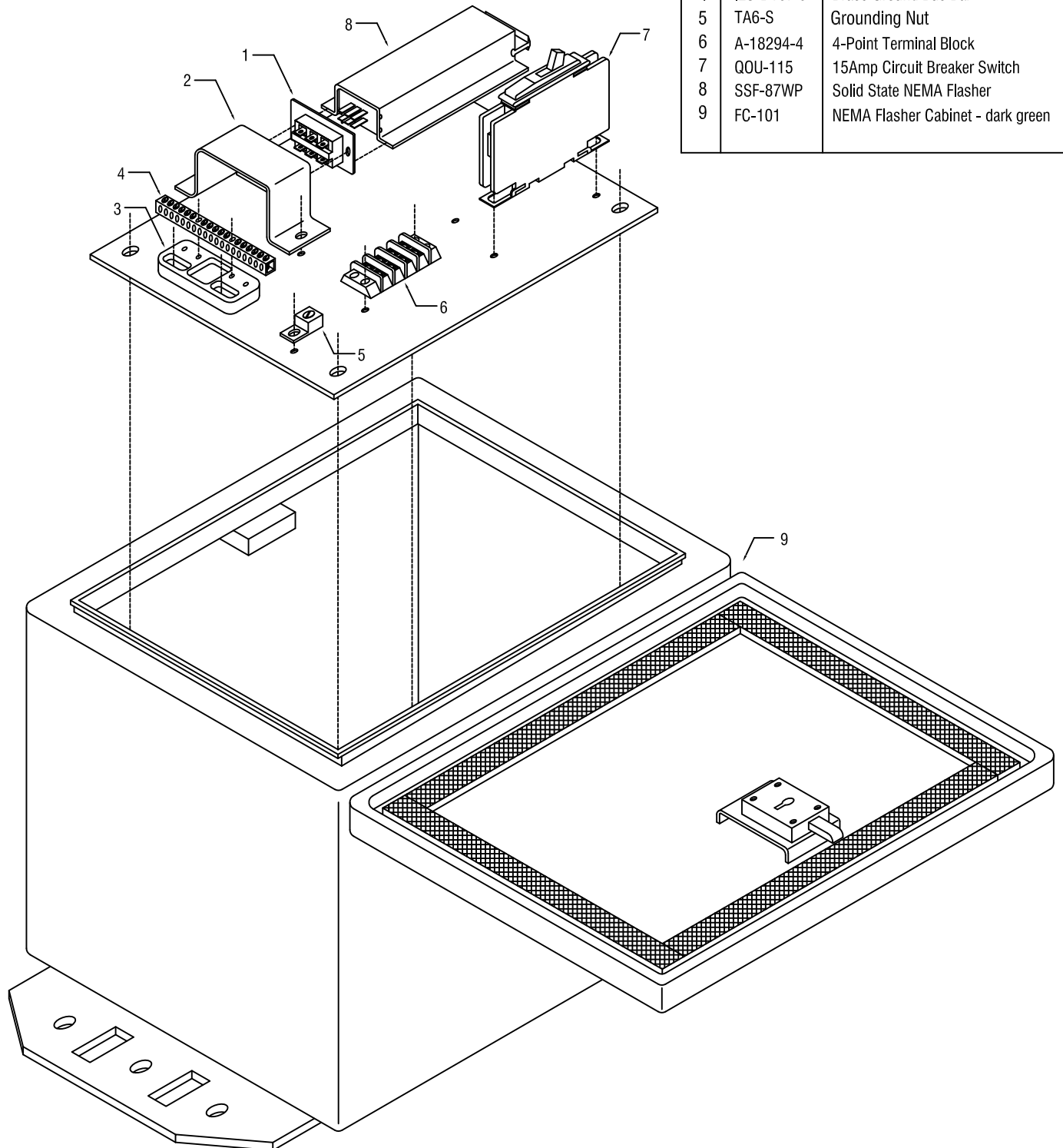
27 Thurber Blvd • Smithfield, RI 02917
 (401) 231-6780 Fax: (401) 231-4390

SPECIFICATION SHEET

TITLE: NEMA ENCLOSURE - 14"H x 11"W x 11"D
 Flasher Cabinet with NEMA Flasher

PART NO.:
 Model # FC101

Item	Part #	Part Description	Qty
1	S2406SB	Waldon/Cinch Flasher Sub-base	1
2	*	NEMA Flasher Sub-base Bracket	1
3	PDM2019	Plastic Ground Bus Bar Insulator Stand	1
4	ILS-D167 6	Brass Ground Bus Bar	1
5	TA6-S	Grounding Nut	1
6	A-18294-4	4-Point Terminal Block	1
7	QOU-115	15Amp Circuit Breaker Switch	1
8	SSF-87WP	Solid State NEMA Flasher	1
9	FC-101	NEMA Flasher Cabinet - dark green	1



For more information, visit our website at www.oceanstatesignal.com