

Ocean State Signal Co.

27 Thurber Blvd • Smithfield, RI 02917
(401) 231-6780 Fax: (401) 231-4390

EAGLE Traffic Control Systems



SPECIFICATION SHEET

TITLE:

SIZE "M" CABINET - GROUND MOUNT

PART NO.:

EL702

Specifications

Enclosure:

1. Completely fabricated from .125"-thick type 5052-H32 Vinyl-coated, mill finished aluminum utilizing intermittently welded construction, subsequently weatherproofed with silicone sealant.
2. Internal attaching components include (4) adjustable "C" mounting channels (2 per side) and (2) slotted rails on rear wall for attaching equipment panels.
3. The door opening is single-flanged on the sides and bottom and double-flanged on top to prevent water drops when the door is open. The opening also includes a mount for two door-operated switches when required.



4. Thermoconvection air ventilation system utilized with provisions for mounting fan for forced-air cooling. Exhaust outlet openings are provided under the roof overhang when required.

5. All internal and external hardware utilizes non-corrosive material.

6. Adjustable $\frac{3}{8}$ " diameter stainless steel door stop can be latched in various positions.

7. (2) shelves included

Door:

1. Provided with three-point locking mechanism.

2. $\frac{3}{4}$ " diameter stainless steel inward-turning handle with provisions for padlocking.

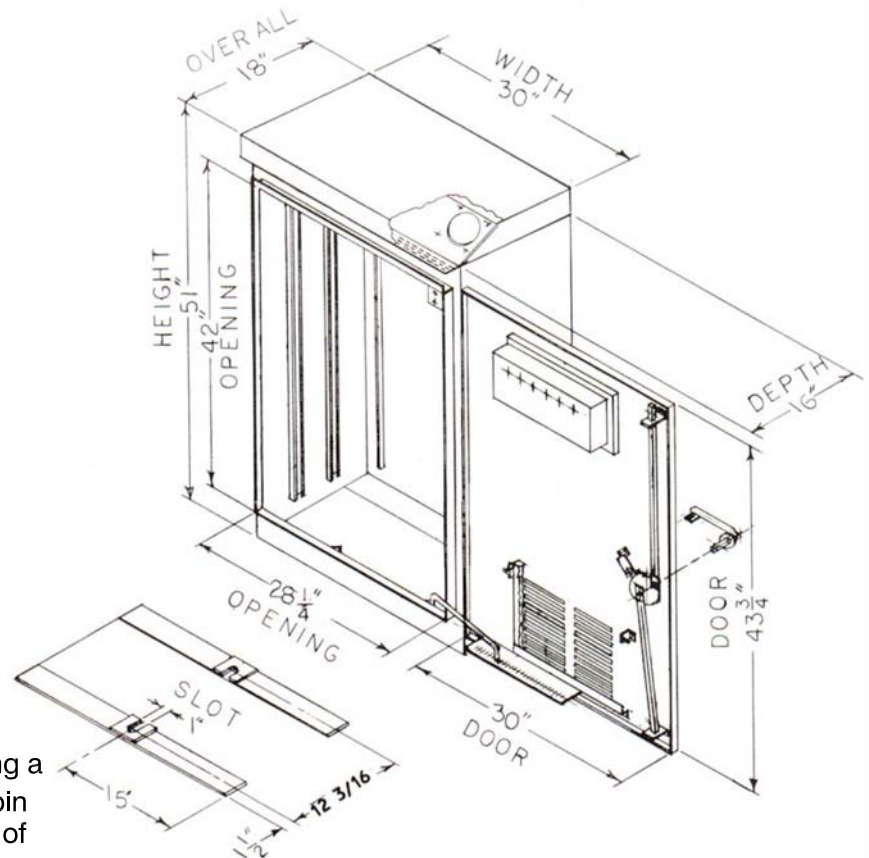
3. Main Door Lock - industrial standard pin tumbler lock with #2 key.

4. Louvered inlet with filter to prevent dirt from entering with air flow.

5. Closed-cell neoprene door seal gasket used.

6. Heavy gauge aluminum continuous hinge utilizing a non-removable $\frac{3}{16}$ " diameter stainless steel hinge pin for door support, carriage bolted in place, for ease of door removal.

7. A 2" deep, fabricated switch compartment is included with a standard "police" lock and a 14-gauge stainless steel continuous hinge with a $\frac{3}{32}$ " diameter hinge pin riveted in place. Compartments mounted flush to door.



For more information, visit our website at www.oceanstatesignal.com