

Ocean State Signal Co.

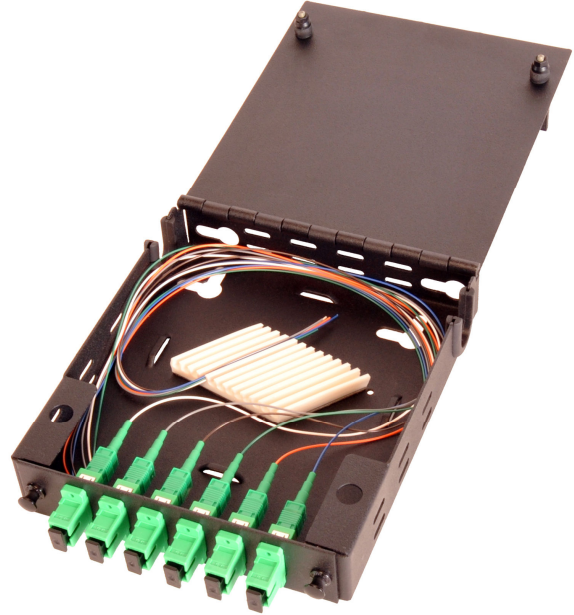
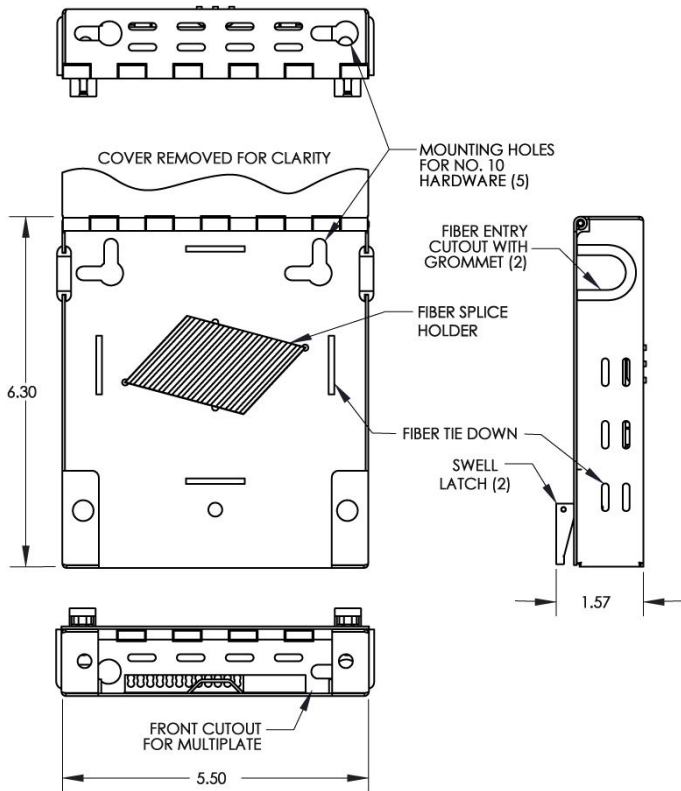
27 Thurber Blvd • Smithfield, RI 02917
(401) 231-6780 Fax: (401) 231-4390

Multilink™

SPECIFICATION SHEET

TITLE:
Fiber Distribution Enclosure

PART NO.:
045-187-10



FWM-1X-SP

Specification Sheet

Product Description

The Multilink FWM-1X-SP is a compact indoor wall mount enclosure for interconnectivity and splicing of optical fibers. Its' small size is ideal for use in tight closets, inside cabinets and enclosures, and DOT Traffic Control enclosures. The FWM-1X-SP is compatible with all Multilink standard adapter panels.

General Specifications

Dimensions:	6.30" H x 5.50" W x 1.57" D
Panels:	(1) Multilink Adapter Panels (see individual panel capacities)
Fiber Capacity:	(12) Single Splice Holder
Material:	18 Gauge Steel
Coating:	Electrostatic polyester powder coat paint, available in Black & Off White

Ordering Information

<u>Part Number</u>	<u>Description</u>
045-187-10	FWM-1X-SP-BK, Black
045-187-11	FWM-1X-SP-OW, Off White

For more information, visit our website at www.oceanstatesignal.com