

Ocean State Signal Co.

27 Thurber Blvd • Smithfield, RI 02917
(401) 231-6780 Fax: (401) 231-4390

Multilink™

SPECIFICATION SHEET

TITLE: 1120-SSTP Splice Tray

PART NO.: 072-059-10

Product Description

The Multilink 1120-SSTP Optical Fiber Splice Tray is designed to safely route and store optical fiber and associated splices. The tray is fully compliant to industry specification Telecordia GR-769, Splice Organizer Assemblies for Optical Fibers. The 1120-SSTP splice tray is designed to be installed into various Multilink Splice enclosures, as well as Wall and Rack mount Patch & Splice enclosures. The tray is one in a family of units that support fiber splicing.

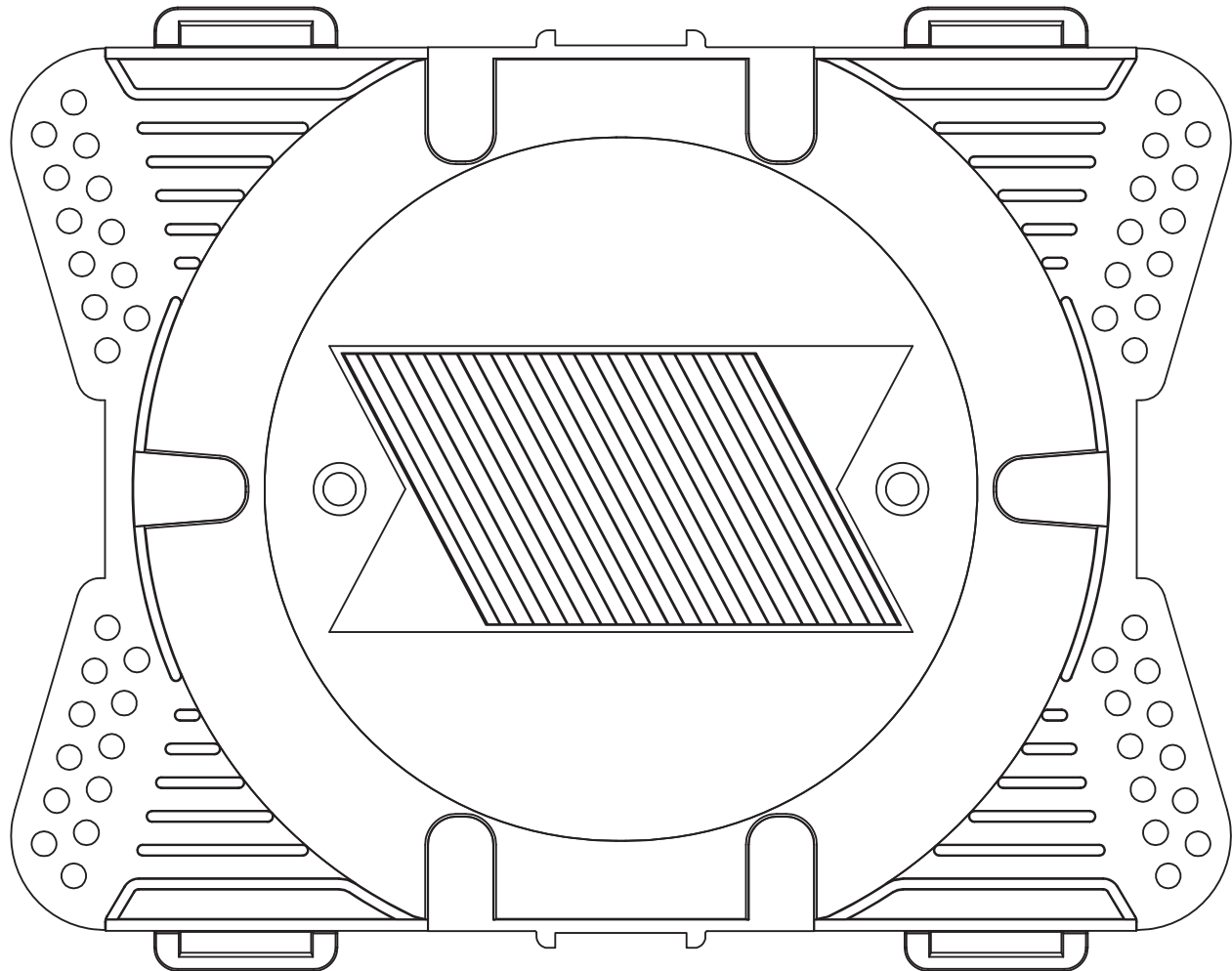


General Specifications

- Dimensions:** 6.5" L x 5.13" W x 0.50" D
- Capacity:** (12) Single fusion splices using 40mm or 60mm splice sleeves
- Material:** Plastic

1120-SSTP

Stock ID	Description
072-059-10	1120-SSTP Splice Tray



For more information, visit our website at www.oceanstatesignal.com