

Ocean State Signal Co.

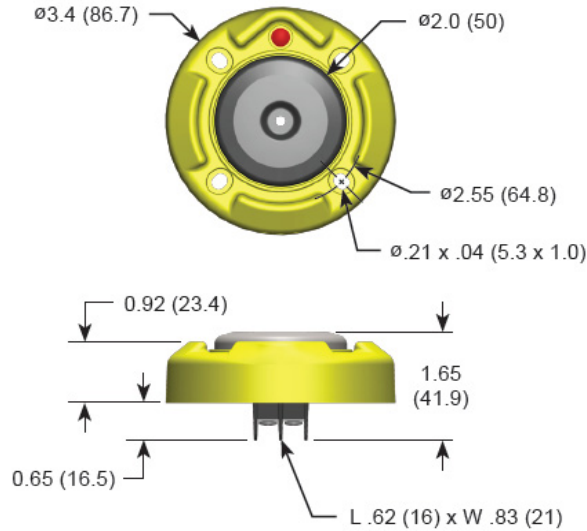
27 Thurber Blvd • Smithfield, RI 02917
 (401) 231-6780 Fax: (401) 231-4390

POLARA

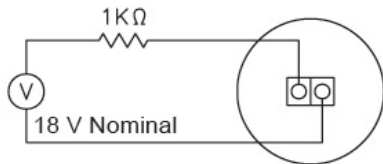
SPECIFICATION SHEET

TITLE: Bulldog III Series
 Vandal Resistant ADA Push Button

PART NO.:
 BDL3-X*

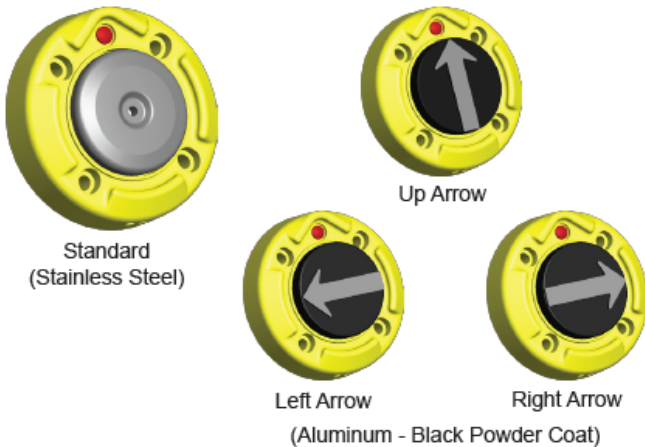


**Suggested Test Circuit
 (Momentary Mode Only)**



BDL3-Y model shown.
 Dimensions are in inches (millimeters).

Button Style



This button is a highly vandal resistant button with essentially no moving parts. It is pressure activated, but can withstand an impact from a baseball bat or hammer. When the switch activates, you hear a beep and the LED either flashes (Momentary Mode) or lights and stays on until the walk cycle (Latching Mode).

Body Material:

Standard: 316 Stainless Steel
 Arrow Button: Anodized 6061 Aluminum, Nickel Plated
 Black Powder Coat on area surrounding arrow

Piezo Driven Solid State Switch:

Operating Force: 2.0 lbs Maximum
 Operating Temperature: -30 F to 165 F (-34 C to 74 C)
 Operating Voltage: 12-36 VDC, 9-25 VAC RMA
 (18 VDC Typ.)

MTBF: 8,800,000 hours Typ.
 Switch Operating Life: Greater than 300 million operations.
 "Off" Current: 15 uA Typ.
 "On" Resistance: 85 Typ. (Momentary)
 Maximum "On" Current: 150 mA (over-current protection) Typ.
 Debouce Time: 85 ms. Typ.

LED Operating Modes:

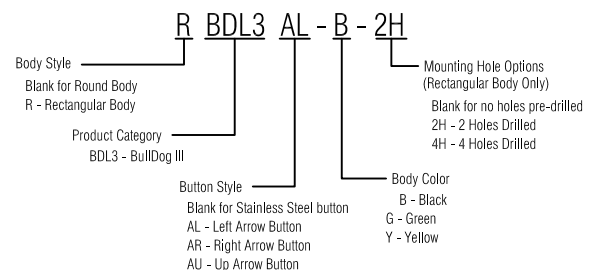
Momentary: Approx 0.025 sec. LED flash each time button is pressed.
 Latching: LED activates only during non-walk phases and stays on until the beginning of the walk phase.

LED Specifications:

Luminous Intensity: 0.3 Lux @ 1 meter Minimum (Red)
 Viewing Angle: 155 Typical

Beeper:

Volume: 68 dB @ 1 meter Typ.
 Beep on Press: 2.6kHz
 Beep on Release: 2.3 kHz
 Beep Length: 50ms Typ.



For more information, visit our website at www.oceanstatesignal.com