

Ocean State Signal Co.

27 Thurber Blvd • Smithfield, RI 02917
(401) 231-6780 Fax: (401) 231-4390

POLORA

SPECIFICATION SHEET

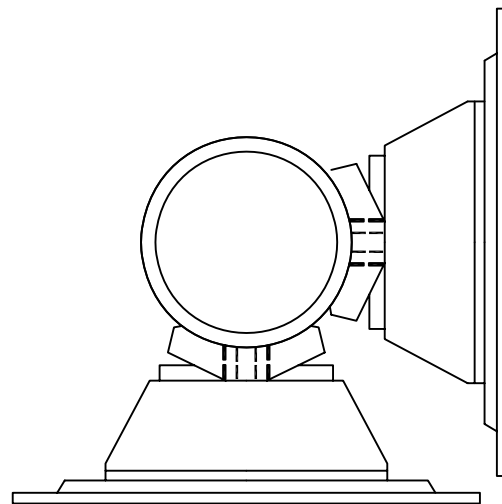
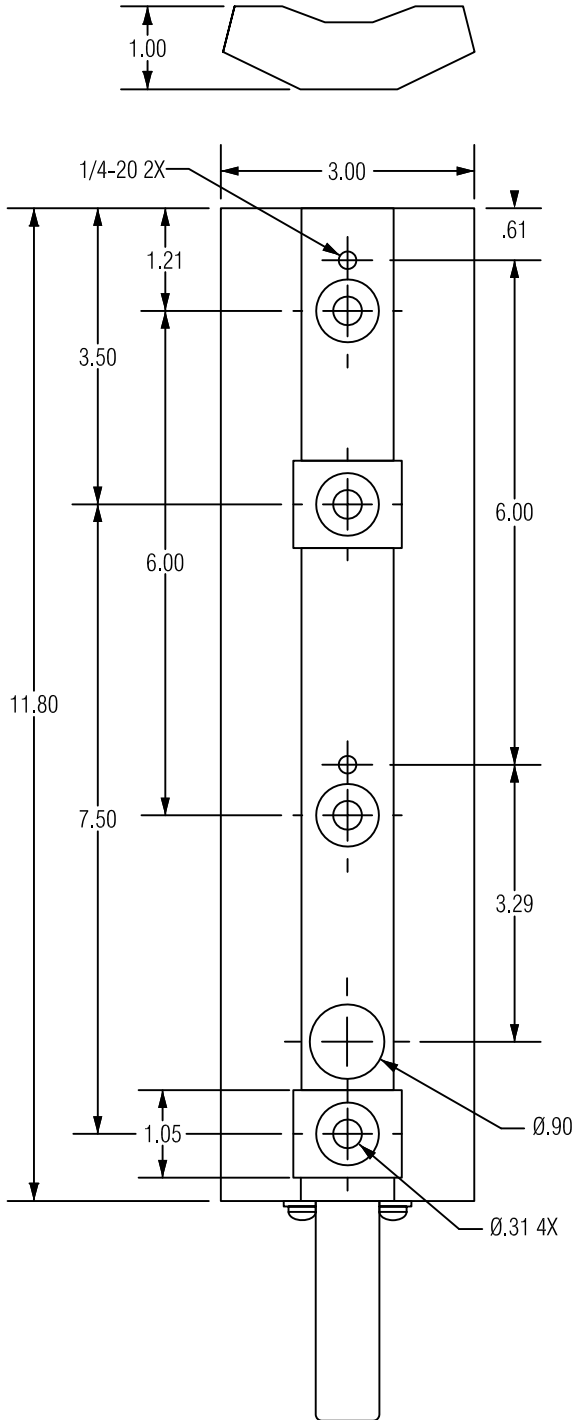
TITLE: Spacer for mounting two 9X12 / 9X15 Navigators
on a 4.0" pole.

PART NO.:
NPA4X2-X

This spacer is designed to offset two Navigators on a 4.0" diameter pole so that two 9" x 12" or 9" x 15" signs can be mounted without conflict. One adapter is needed behind each Navigator. The adapters can either be strapped or bolted to the pole. For bolting, holes are provided to match 6" spacing of most push button signs or spacing for PELCO 5" x 7" frames if these types of frames were previously mounted. Adapter is fully compatible with EZComm Navigators

The adapter is made of powder coated aluminum. It is available in three colors to match the standard colors of the Navigators. To specify a color, replace the -X in the part number with the following:

- B for Black
- G for Green
- Y for Yellow



For more information, visit our website at www.oceanstatesignal.com