

Ocean State Signal Co.

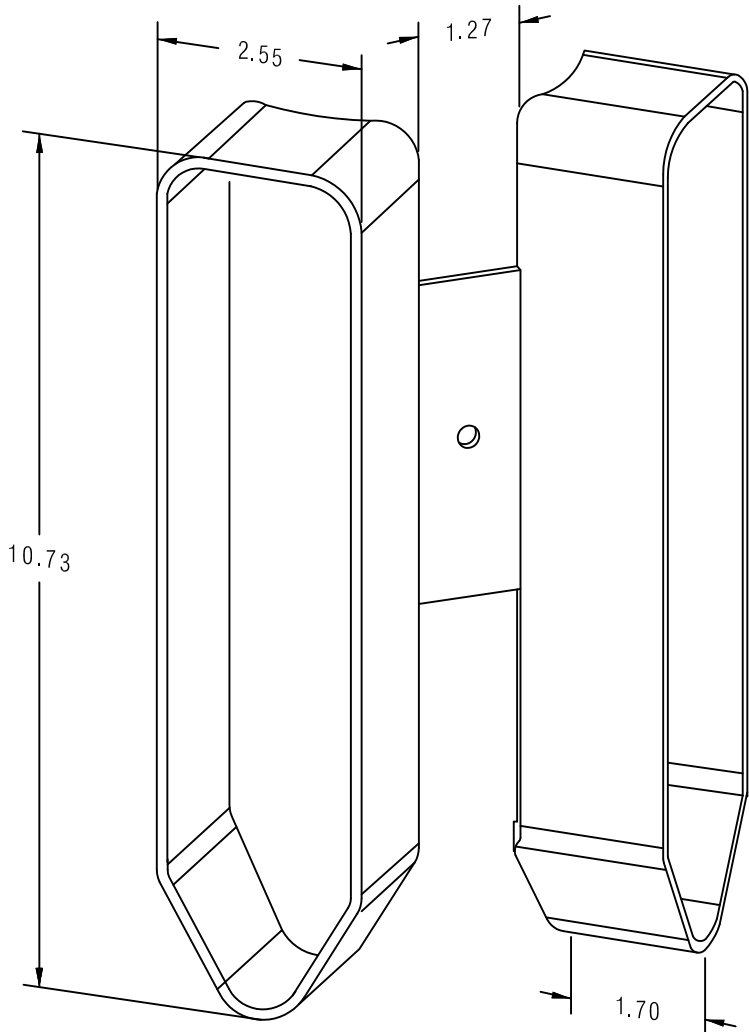
27 Thurber Blvd • Smithfield, RI 02917
(401) 231-6780 Fax: (401) 231-4390

POLARA

SPECIFICATION SHEET

TITLE: Spacer for mounting two 9X12 Push Button Frames on a 4.5" pole.

PART NO.:
PBFS4.5X2-X

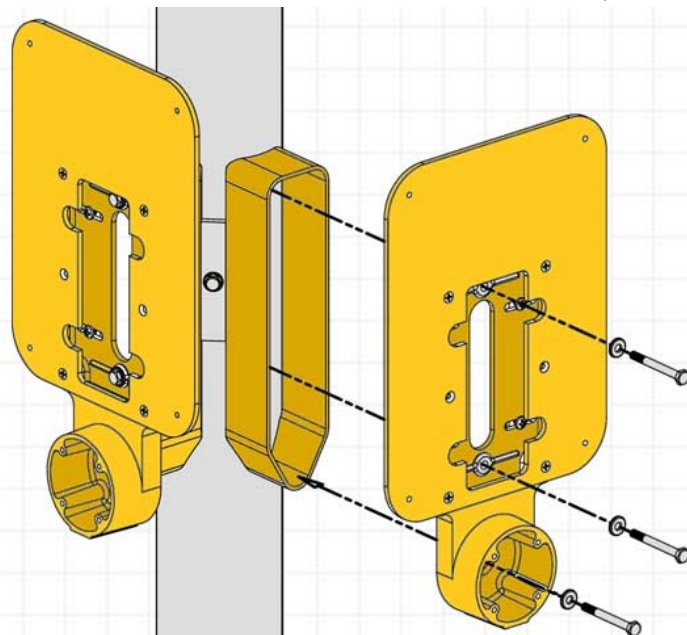
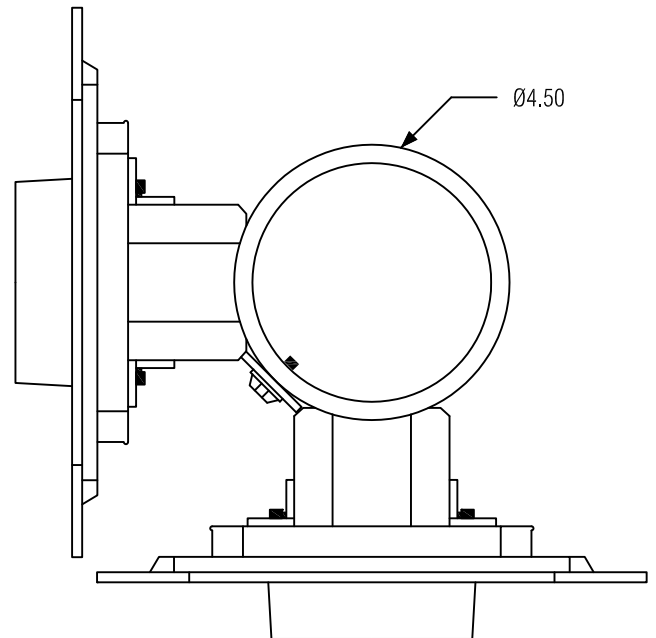


This spacer is designed to offset two Push Button Frames on a 4.5" diameter pole so that two 9" x 12" signs can be mounted without conflict. One spacer is used to mount two Push Button Frames. The spacer is held to the pole by a bolt in the center and the frames mount to the pole with 3" long bolts through the spacer.

The adapter is made of powder coated aluminum. It is available in three colors to match the standard colors of the Push Button Frames. To specify a color, replace the -X in the part number with the following:

- B for Black
- G for Green
- Y for Yellow

Material: Aluminum



For more information, visit our website at www.oceanstatesignal.com