

Ocean State Signal Co.

27 Thurber Blvd • Smithfield, RI 02917
 (401) 231-6780 Fax: (401) 231-4390

WHELEN[®]
 ENGINEERING COMPANY, INC.

SPECIFICATION SHEET

TITLE:

IS3 Series Self-Contained Industrial Strobe Beacons

PART NO.:

IS3220HC

Medium Sized Industrial Warning Strobes.

IS3 Series Strobes are mid-sized, heavy duty warning beacons that feature superior warning and signaling capability. The vibration-resistant Xenon flash tube and reliable electronic assembly assure long life and low maintenance. All circuit boards are double epoxy dipped for vibration and moisture resistance; short circuit and reverse polarity protected. Lenses are rugged, shatter-resistant polycarbonate in high or low dome configuration. Each unit features combination flat or 1" pipe mounting for versatility and ease of installation. IS3 Series are ideally sized for a wide variety of applications in-plant and outside as well. They provide effective, long-life service on utility, maintenance and material handling vehicles, and command attention for hazard warning or signalling applications inside the plant.

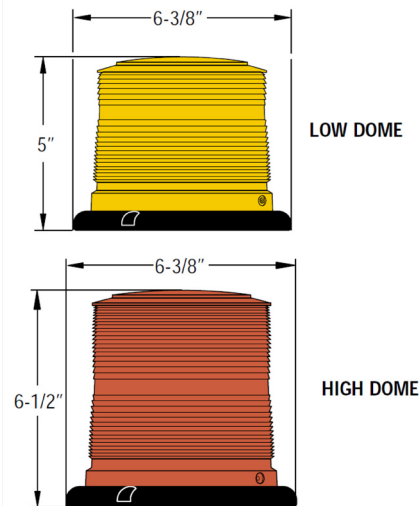
FEATURES

- Heavy duty, medium sized beacons with self-contained strobe power supplies
- Four models, AC and DC versions, plus high and low domes for wide range of applications
- U.L. Listed for indoor and outdoor use.
- Combination flat and 1" pipe mount
- Reliable, easy to service, electronic operation
- Short circuit and reverse polarity protected
- Tough molded polycarbonate lens, available in all five safety colors
- Intense strobe warning and signaling performance

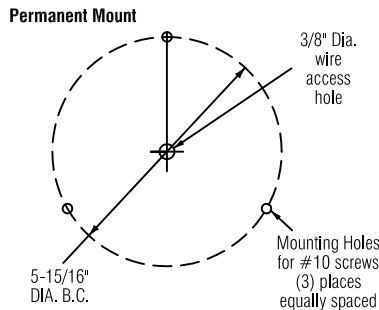
MODEL	VOLTAGE	FLASH CURRENT (AMPS)	FPM	PEAK CANDLEPOWER	CANDELA ^
IS3210L*	120 VAC	0.12	60	1 million	151
IS3210H*	120 VAC	0.12	60	1 million	177
IS3220L*	120 VAC	0.15	80 DF	2 million	234
IS3220H*	120 VAC	0.15	80 DF	2 million	265
IS3010L*	12/24 VDC	1.25/7.75	80 DF	1 million	262/300
IS3010H*	12/24 VDC	1.25/7.5	80 DF	1 million	316/368
IS3020L*	12/24 VDC	1.5/1	80 DF	2 million	367/440
IS3020H*	12/24 VDC	1.5/1	80 DF	2 million	447/518

* Select Color: **A** - Amber, **B** - Blue, **C** - Clear, **G** - Green, **R** - Red. ^ - Measured with clear lens.

DIMENSIONS



MOUNTING PATTERN



For more information, visit our website at www.oceanstatesignal.com