

Ocean State Signal Co.

27 Thurber Blvd • Smithfield, RI 02917
 (401) 231-6780 Fax: (401) 231-4390

TOMAR Electronics, Inc.

SPECIFICATION SHEET

TITLE: DETOC Series - Optical Detector

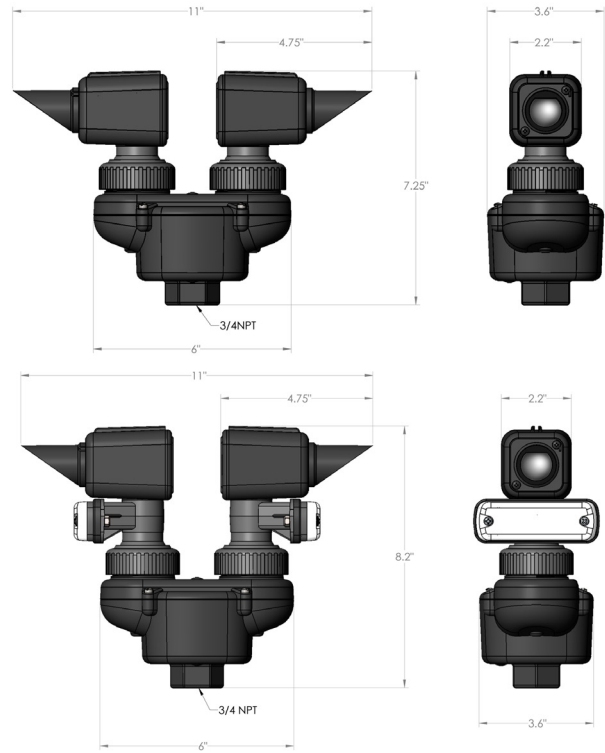
PART NO.: SEE BELOW

TOMAR's DETOC Series Optical Preemption Detectors sense the optical pulses emitted by properly equipped emergency or transit vehicles. Mounted to observe the approaches of an intersection, DETOC Detectors are used with TOMAR OSPOC Series Optical Signal Processors or GTT OPTICOM* brand phase selectors to inform the traffic control system of the presence of designated vehicles.

DETOC series detectors are compatible with GTT OPTICOM brand 200, 500, and 700 series IR or IR/GPS phase selectors, and 200, 500, and 700 series LED and strobe based emitters.

DETOC series detectors can be used in mixed intersections or to expand existing optical preemption systems that use OPTICOM-brand coded optical signals.

- Compatible with both GTT OPTICOM phase selector manual detector test and Tomar OSPOC automatic detector test.
- Military derived sensor technology for direct sunlight rejection and detection performance unmatched by ANY other system.
- Fully encapsulated electronics for complete resistance to water, heat, and vibration.
- Complete electronics protection from damage due to miswiring or electrical transients.
- Simple advanced detector installation without any special cabling for enhanced detection around corners and over hills.
- Tool-less tilt/swivel for each detector head makes aiming easy



DETOC detector series ordering information

Catalog Number	Description
DETOC1	One direction, one channel DETOC detector
DETOC21	Two direction, one channel DETOC detector
DETOC22	Two direction, two channel DETOC detector

Specifications for DETOC Series Detectors

Maximum Range	2500 feet minimum when used with a GTT Optical Phase Selector or TOMAR Optical Signal Processor.
Optical Pulse Rise Time Discrimination	The DETOC Series input stages are optimized for the detection of strobe pulses with a rise time from start of pulse to peak of pulse of 10 microseconds or less. Slower pulses such as varying sunlight and incandescent emergency lighting will be highly attenuated and substantially ignored by the detector's digital discriminators.
Detector Test	The DETOC Series are compatible with both GTT phase selector manual detector test and Tomar OSPOC automatic detector test.
Field of View	13 degrees conical centered about the viewport normal axis (typical).
Power Requirements	VOLTAGE: 12 to 30VDC CURRENT: 35mA maximum
Temperature Range	-40° Celsius to +75° Celsius
Physical Construction	The DETOC Series enclosures are black, glass-filled, UV stabilized, polyamide suitable for all-weather use. All electronic circuitry is completely encapsulated in polyurethane for protection from shock, vibration, and moisture. A weep hole is provided for allowing the escape of condensation or other internal moisture build-up in the sight tube of the detector.
Mounting	The DETOC Series are easily mounted using standard hardware on either span wire or mast arm. The unit has a 3/4" female pipe mount hub and internal terminal block for connection to a 3/C shielded detector cable.