

Ocean State Signal Co.

27 Thurber Blvd • Smithfield, RI 02917
 (401) 231-6780 • Fax: (401) 231-4390



SPECIFICATION SHEET

TITLE: Vehicle Signal LED Modules

PART NO.: see below

Operating Temperature: -40°F to 165°F (-40°C to 74°C)

Turn-On/Turn-Off Time: < 75msec

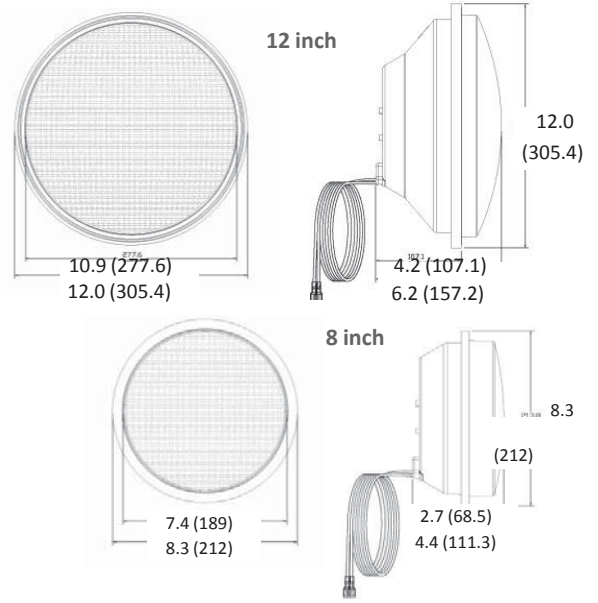
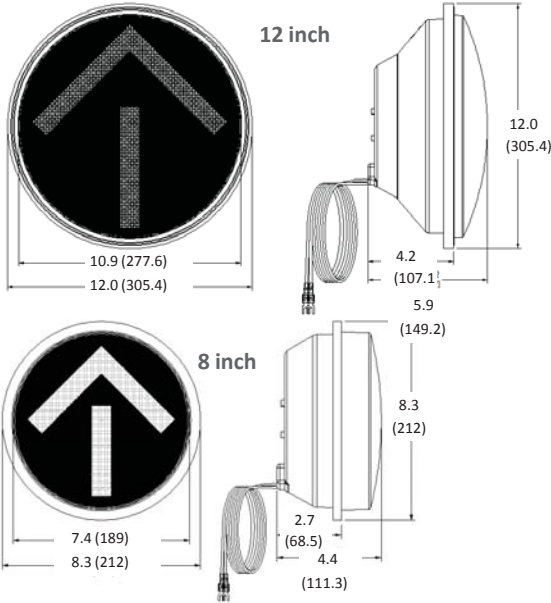
Operating Voltage: 80 - 135Vac

Turn-Off Voltage: > 35Vac

Power Factor: > 0.90

Total Harmonic Distortion (THD): < 20%

Mechanical Dimensions [in(mm)]



IL6-P3	Model Number and Color	Wattage Drawn	Voltage	Dominant Wavelength	Maintained Intensity (cd) Min.	Standard
	8 inch ball					
	TSL-08R-LX-IL6-A1-P3	5.5	80-135Vac	626	165	ITE 2005/ETL
	TSL-08Y-LX-IL6-A1-P3	6	80-135Vac	589	410	ITE 2005/ETL
	TSL-08G-LX-IL6-A1-P3	6	80-135Vac	500	215	ITE 2005/ETL
	12 inch ball					
	TSL-12R-LX-IL6-A1-P3	5.6	80-135Vac	626	365	ITE 2005/ETL
TSL-12Y-LX-IL6-A1-P3	8.8	80-135Vac	589	910	ITE 2005/ETL	
TSL-12G-LX-IL6-A1-P3	6.7	80-135Vac	500	475	ITE 2005/ETL	
	8 inch arrow					
	TSL-08RA-IL6-A1-P3	5.5	80-135Vac	626	N/A	N/A
	TSL-08YA-IL6-A1-P3	6	80-135Vac	589	N/A	N/A
	TSL-08GA-IL6-A1-P3	6	80-135Vac	500	N/A	N/A
	12 inch Arrow					
	TSL-12RA-IL6-A1-P3	5.5	80-135Vac	626	58.4	ITE 2007/ETL
TSL-12YA-IL6-A1-P3	7.3	80-135Vac	589	145.6	ITE 2007/ETL	
TSL-12GA-IL6-A1-P3	6	80-135Vac	500	76.0	ITE 2007/ETL	
TSL-12BM-LD-A1	Y 6.5 G 7.0	80-135Vac	589 500	146 76.0	N/A	