

Ocean State Signal Co.

27 Thurber Blvd • Smithfield, RI 02917
(401) 231-6780 Fax: (401) 231-4390



SPECIFICATION SHEET

TITLE: McCain Backplates for Optically Programmable Signals

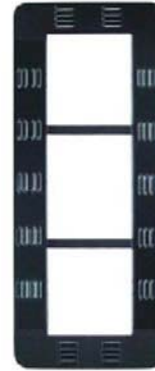
PART NO.:

Overview

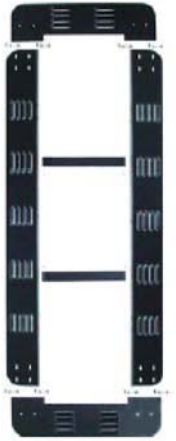
McCain's Backplates for Programmable Signals provide a visual contrast between signal heads and the background enhancing signal visibility. Available for twelve-inch programmable signal heads, backplates can be configured for one to five section, cluster, or combination signals. Available in a variety of standard and custom colors to match the signal head, backplates provide an aesthetically pleasing and functional look for your intersection.



Non-louvered



Louvered



View showing individual parts

Benefits and Features

- Enhances signal visibility by creating an environmental contrast
- Available in a variety of configurations
- 5" or 8" borders
- With or without louvers
- Optional reflective tape border
- Standard and custom color options
- Compatible with elevator plumbizer (MAS) and standard mountings

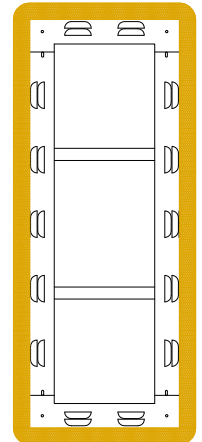
Product Description

McCain's Backplates for Programmable Signals are available in either louvered or non-louvered aluminum, with five or eight inch borders, and are also available with reflective tape borders. The Aluminum is 0.050" thick.

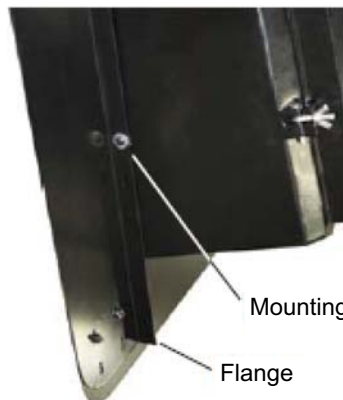
All backplates are powder coated flat black on the front face for increased visual contrast against the background. The back face of the backplates is available in a variety of powder coated colors to match your current signal housing.

The backplates for programmable signals feature a flange that runs along the inner edge of both vertical surfaces for attachment to the signal housing.

Louvered Backplate with 2" Reflective Border

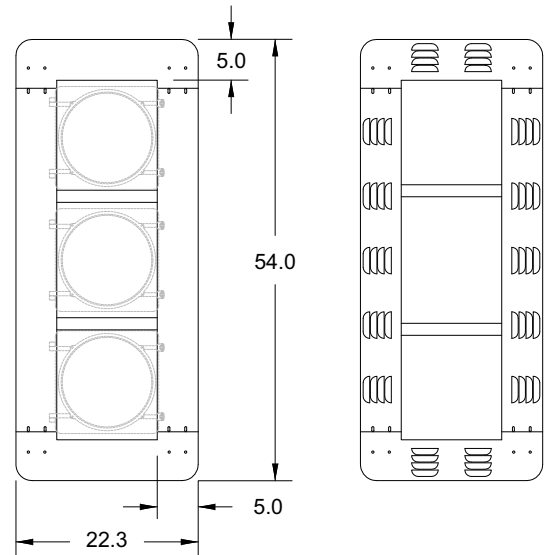


Example of Reflective Tape (with louvers)



Mounting Detail

3-Section 5" Border Louvered & Non-Louvered



For more information, visit our website at www.oceanstatesignal.com