

# Ocean State Signal Co.

27 Thurber Blvd • Smithfield, RI 02917  
(401) 231-6780 • Fax: (401) 231-4390



**EAGLE**  
Traffic Control Systems

## SPECIFICATION SHEET

TITLE:  
12" Aluminum Vehicle Signal Housing

PART NO.:  
see below

### Description

The standard signal is composed of three die-cast aluminum LED-ready body sections containing the door and visor. The basic construction design provides minimum weight combined with maximum rigidity and strength.

SG Aluminum Signals are available in both 8-inch and 12-inch diameters.

### Features

Meets or exceeds ITE specifications..

**Housing** - One piece die-cast unit with serrations in 5° increments at each end. Each housing has provisions for mounting two terminal blocks and attaching backplates. Housings may be fastened together to make multi-section signals.

**Door** - One piece die-cast aluminum unit equipped with stainless steel hinge pins. Two stainless steel captive eyebolts and wing nuts permit easy access to the inside of the housing.

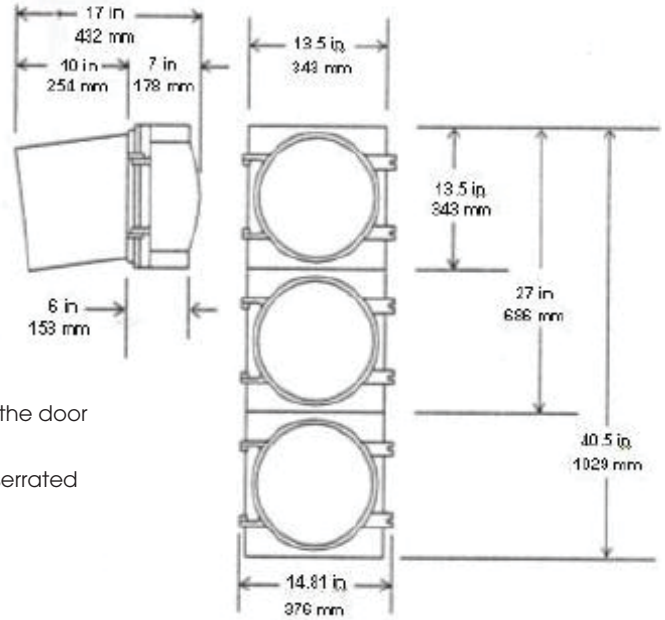
**Visor** - One piece formed aluminum unit. The removable twist-on visor is secured to the door with stainless steel hardware. Cap, tunnel, and full circle visors are available.

**Positive Positioning** - Positive positioning and locking is achieved through the use of serrated brackets, mast arm, or span wire fittings.

**Hardware** - Stainless steel material inside and outside

**Coating** - Powder coated paint both inside and out

### 12" (300 mm) Signal Dimensions

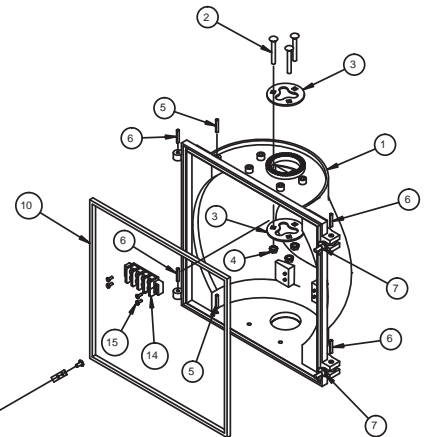


### Aluminum & Polycarbonate

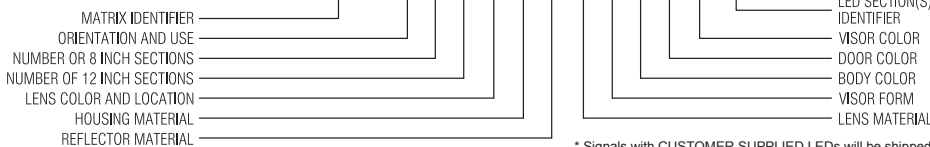
PREFIX	FACE ARRANGEMENT	MATERIAL			VISOR FORM	HOUSING COLORS		
		HOUSING	REFLECTOR	LENS		BODY	DOOR	VISOR
SA	FOUR DIGIT	1=POLY	0=NONE	0=NONE	0=NONE	B=BLACK (GB)	B=BLACK (GB)	B=BLACK (GB)
SIG	NUMBER LISTED	2=ALUM	C=if LED section	1=POLY	1=TUNNEL	F=BLACK (FB)	F=BLACK (FB)	F=BLACK (FB)
SG	BELOW THE				2=CAP	G=DARK GREEN	G=DARK GREEN	G=DARK GREEN
SPS	ILLUSTRATIONS				3=FULL CIRCLE	M*=MED GREEN	M*=MED GREEN	M*=MED GREEN
SS	ON PAGE 2 of 2					Y=YELLOW	Y=YELLOW	Y=YELLOW
						Z*=SPECIAL	Z*=SPECIAL	Z*=SPECIAL

\* Available on aluminum signals only.

### Diagram

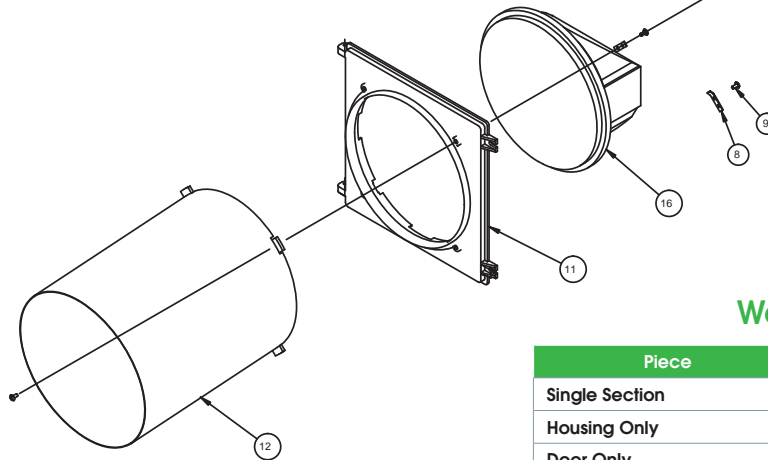


### EXAMPLE SIGNAL NUMBERS FOR LED INSTALLATION



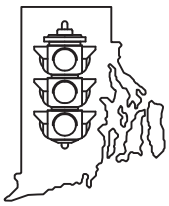
\* Signals with CUSTOMER SUPPLIED LEDs will be shipped with the LED section blank unless specified otherwise in the sales order.

Signals with All LEDs					
Sections	1	2	3	4	5
ALL LEDES	10	20	30	40	50



### Weights

Piece	12" (300 mm)
Single Section	7.5 lbs. (3.4 kg)
Housing Only	5.3 lbs. (2.41 kg)
Door Only	1.5 lbs. (0.68 kg)
Visor Only	1.4 lbs. (0.64 kg)



# Ocean State Signal Co.

27 Thurber Blvd • Smithfield, RI 02917  
(401) 231-6780 • Fax: (401) 231-4390



## EAGLE

Traffic Control Systems

### SPECIFICATION SHEET

TITLE: Most Common Vehicle Signal Face Arrangements

PART NO.: see below

