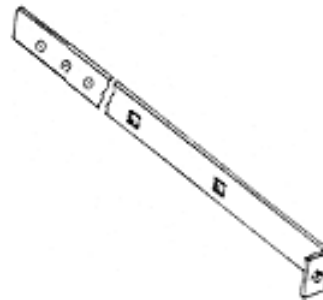




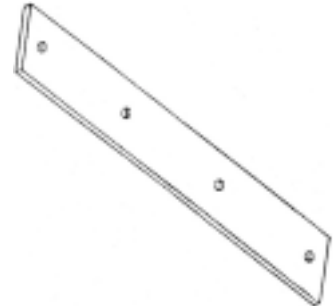
# Cabinet Accessories

## Pole Mounting Hardware

- Securely attach side-of-pole mount cabinets to pole.
- Pole bands may be used on poles to 12 inches in diameter.
- Wood pole straps use lag screws to attach to any diameter wood pole.
- Pole plates available for strapping to pole with "bandit".
- All necessary hardware included.
- Two required per cabinet.



Standard Pole Band  
Part #UL22



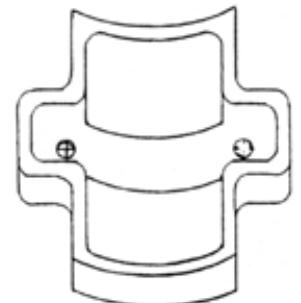
Wood Pole Strap  
Part #UL23

## Top of Post Mounting Collar

- Made from heavy cast aluminum.
- Bolts to cabinet bottom using standard hardware (included).
- Slips over standard 4.5 inch-diameter post.
- Set screws are included for plumbing and securing in place.



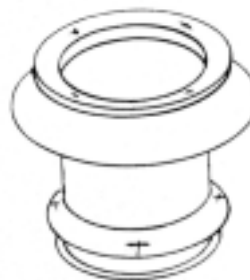
Pole Band with  
Mounting Saddle  
Part #UL24



Pole Plate  
Part #UL26

## Anchor Bolts

- Used for securing base mount cabinets to concrete pad.
- Made from .75 inch-diameter galvanized steel rod.
- 18 inches long.
- Hex nuts and washers included.



Collar  
Part #EL1-2



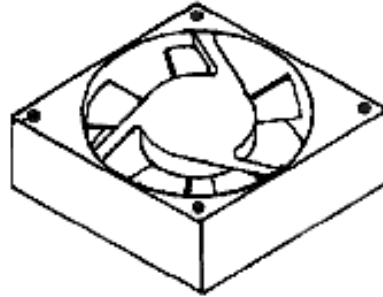
Four Bolt Set Part #UA242  
Two Bolt Set Part #U243

---

# Cabinet Accessories

## Fan and Thermostat

- Includes 100 CFM fan, thermostat and mounting hardware.
- Thermostat range is 90° to 150°F turn on with 15°F differential.
- Cabinets with multiple fan options are available.



Fan and Thermostat  
Part #001-00102-001

## Shelves

Part No.	Cabinet Size
EG 1927-0017	Size 4
EG 1927-0021	Size M
EG 1927-0024	Size M-36
EG 1927-0023	Size P, R

