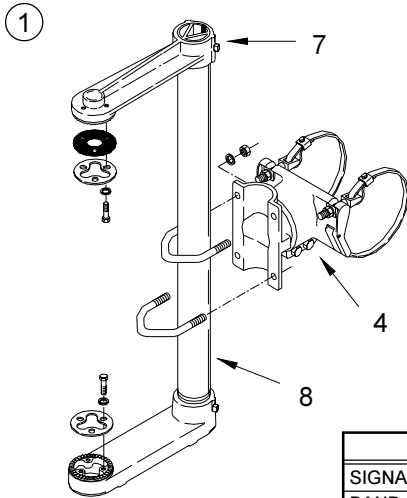


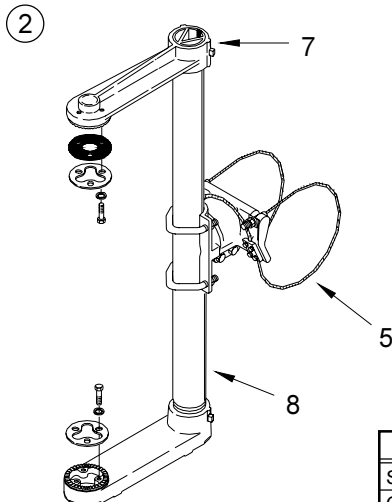
The Astro-Brac in its various configurations is a truly universal system for mounting signals.

The Astro-Brac is designed to facilitate the mounting of any size or combination of signals to any size of mast arm or pole. This complete adjustability is not possible with other types of rigid mountings.

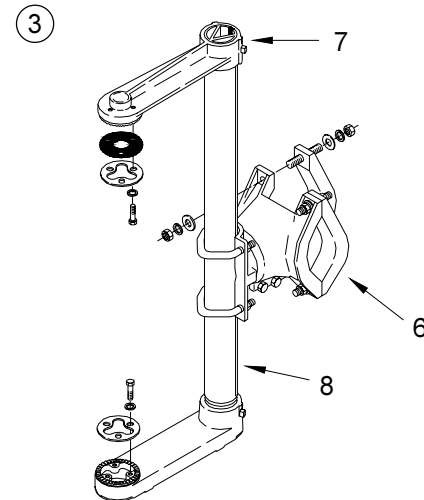
ITEM	DESCRIPTION	PART NO.
<b>ASTRO-BRAC ASSY.:</b>		
①	1-Way Band Mount .....	AB-0116
②	1-Way Cable Mount .....	AB-0125
③	1-Way Tenon Mount .....	AB-0137
<b>ASTRO-BRAC CLAMP KIT:</b>		
4	Band Mount .....	AB-3004
5	Cable Mount .....	AB-3009
6	Tenon Mount .....	AB-3010
7	ARM KIT, 8½" CTC .....	AB-4000
8	GUSSETED TUBE, w/ Vinyl Insert, 1½" Alum TOE .....	AB-2003



OPTIONS
SIGNAL SECTION: 1, 2, 3, 4, or 5
BAND LENGTH: 29", 36", 42", 48", or 56"
STAINLESS UPGRADE
PAINT



OPTIONS
SIGNAL SECTION: 1, 2, 3, 4, or 5
CABLE LENGTH: 62", 84", or 96"
PAINT



OPTIONS
SIGNAL SECTION: 1, 2, 3, 4, or 5
PAINT

**Notes:**

1. All assemblies are supplied standard with stainless fasteners and natural aluminum alodine coating. Stainless upgrade to include stainless steel clamp screw where applicable.
2. See pages T1-8 thru T1-14 for clamp kit pole diameter options.
3. Most assemblies are available with Stellar Series Clamp Kits. To order use prefix AS with part number.
4. Please specify options when ordering.