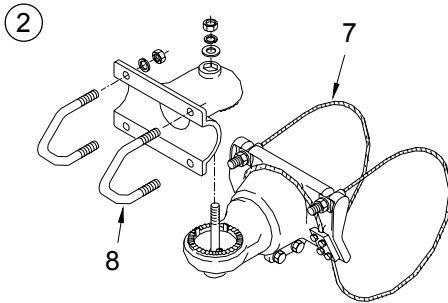
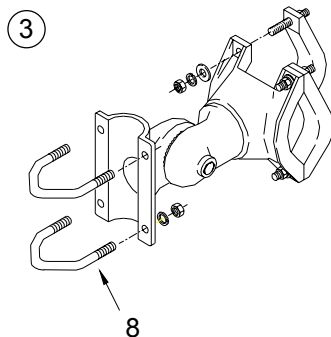


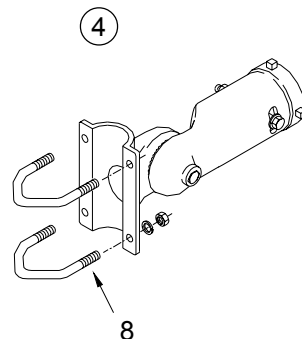
OPTIONS	
BAND LENGTH:	29" fits 4"-8.6" dia. pole
	36" fits 4"-8.6" dia. pole
	42" fits 4"-8.6" dia. pole
	48" fits 4"-8.6" dia. pole
	56" fits 4"-8.6" dia. pole
STAINLESS UPGRADE	
PAINT	



OPTIONS	
CABLE LENGTH:	62" fits 4"-8.6" dia. pole
	84" fits 4"-11.6" dia. pole
	96" fits 4"-14.6" dia. pole
PAINT	



ITEM 3-4 OPTIONS
PAINT



The aluminum articulated serrated clamp kits provide strength with 3 axis of adjustability and complete clamping versatility. They feature unobstructed center openings for internal wiring capability and come complete with all necessary attaching hardware.

ITEM	DESCRIPTION	PART NO.
ASTRO-BRAC CLAMP KIT:		
①	Articulated Serrated Band Mount	AB-3029
②	Articulated Serrated Cable Mount	AB-3026
③	Articulated Serrated Tenon Mount, 1-15/16" to 4½" O.D. Pole	AB-3030
④	Articulated Serrated Tenon Mount, 2-3/8" O.D. Pole	AB-3028
5	CLAMP SCREW KIT, Galv. Screw & Stainless Hdwr.	AB-0204
9	BAND, 5/8", Stainless	AB-0243
7	CABLE ASSEMBLY, Galv. Cable & Stainless Hdwr.	AB-0280
8	U-BOLT KIT, 5/16"-18, Stainless	AB-0256

Notes:

1. All assemblies are supplied standard with stainless fasteners and natural aluminum alodine coating. Stainless upgrade to include stainless steel clamp screw where applicable.
2. Please specify options when ordering.