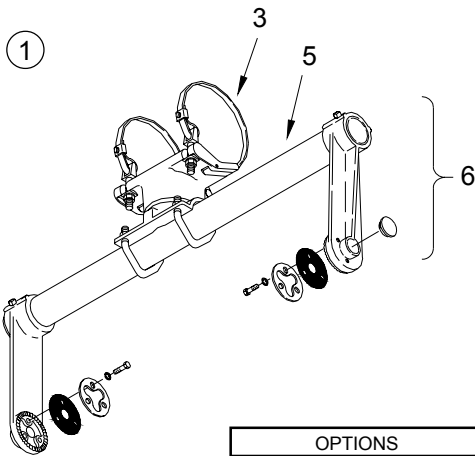


The Astro-Brac in its various configurations is a truly universal system for mounting signals.

The Astro-Brac easily adapts to mount signals horizontally from a mast arm or span wire. When adjustments for skewed angles are necessary, the Articulating Astro-Brac is a must.



OPTIONS	
SIGNAL SECTION:	3, 4, or 5
BAND LENGTH:	29", 36", 42", 48", or 56"
CGB:	0.55"-0.65" wire size 0.63"-0.75" wire size
STAINLESS UPGRADE	
PAINT	

ITEM	DESCRIPTION	PART NO.
------	-------------	----------

HORIZONTAL MAST ARM ASSY.:

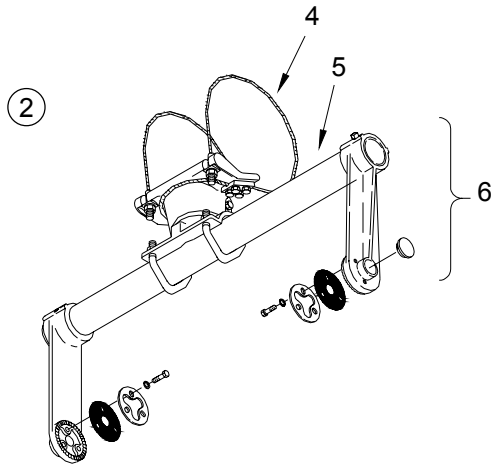
①	1-Way Band Mount.....	AB-0124
②	1-Way Cable Mount.....	AB-0194

ASTRO-BRAC CLAMP KIT:

3	Band Mount	AB-3004
4	Cable Mount	AB-3009
5	TUBE, Aluminum, 1½" x Length	SE-0484
6	ARM KIT, 8½" CTC, Tapped for 3/4" CGB	AB-4001
7	CGB, 0.55"-0.65" Wire Size.....	SE-4028
	CGB, 0.63"-0.75" Wire Size.....	SE-0490

Notes:

1. All assemblies are supplied standard with stainless fasteners and natural aluminum alodine coating. Stainless upgrade to include stainless steel clamp screw where applicable.
2. See pages T1-8 thru T1-14 for clamp kit pole diameter options.
3. Most assemblies are available with Stellar Series Clamp Kits. To order use prefix AS with part number.
4. Please specify options when ordering.



OPTIONS	
SIGNAL SECTION:	3, 4, or 5
CABLE LENGTH:	62", 84", or 96"
CGB:	0.55"-0.65" WIRE SIZE 0.63"-0.75" WIRE SIZE
PAINT	



CGB Option