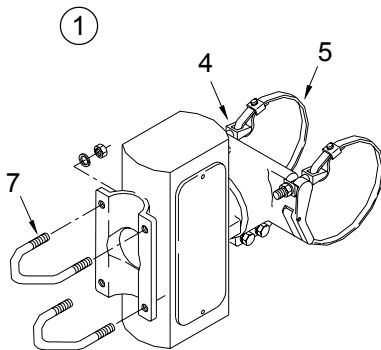


These tensile aluminum alloy clamp kits provide strength with maximum adjustability and complete clamping versatility. They allow for a quicker, easier installation while providing a stronger clamping mechanism. Complete with all necessary attaching hardware.



OPTIONS
BAND LENGTH: 29" fits 4"-8.6" dia. pole
36" fits 4"-10.7" dia. pole
42" fits 4"-12.8" dia. pole
48" fits 4"-14.6" dia. pole
56" fits 4"-17.2" dia. pole
STAINLESS UPGRADE
PAINT

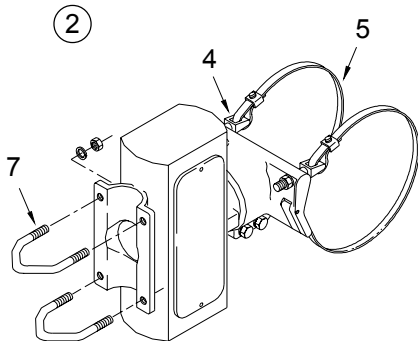
ITEM	DESCRIPTION	PART NO.
------	-------------	----------

MARK I TERMINAL COMPARTMENT CLAMP KIT:

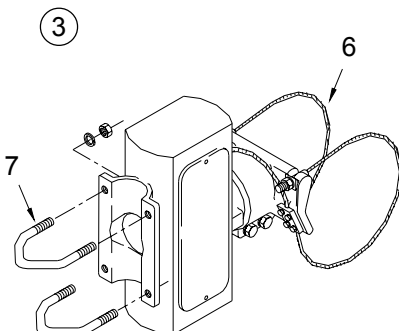
①	Band Mount	AB-3016
②	Band Mount For Large Dia. Poles	AB-3023
③	Cable Mount	AB-3025
④	CLAMP SCREW KIT, Galv. Screw & Stainless Hdwr.	AB-0204
5	BAND, 5/8", Stainless	AB-0243
6	CABLE ASSEMBLY, Galv. Screw & Stainless Hdwr.	AB-0280
7	U-BOLT KIT, 5/16"-18, Stainless	AB-0256

Notes:

1. All assemblies are supplied standard with stainless fasteners and natural aluminum alodine coating. Stainless upgrade to include stainless steel clamp screw where applicable.
2. All Mark I Terminal Compartments are supplied with a 10-circuit terminal strip.
3. Please specify options when ordering.



OPTIONS
BAND LENGTH: 84" fits 17.3"-26" dia. pole
114" max. fits 17.3"-35" dia. pole
STAINLESS UPGRADE
PAINT



OPTIONS
CABLE LENGTH: 62" fits 4"-8.6" dia. pole
84" fits 4"-11.6" dia. pole
96" fits 4"-14.6" dia. pole
PAINT