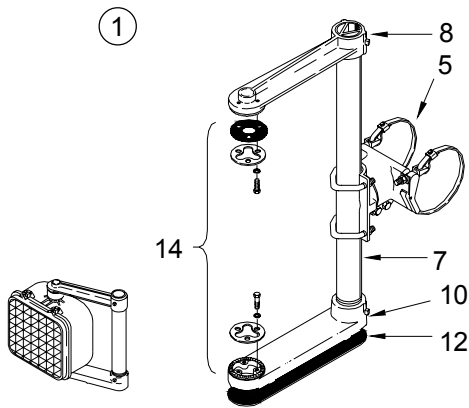


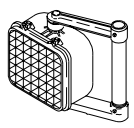
The Astro-Brac in its various configurations is a truly universal system for mounting signals.

These brackets allow the rigid, completely adjustable, mounting of the Pedestrian Signal.



①

14



ITEM	DESCRIPTION	PART NO.
------	-------------	----------

ICC PEDESTRIAN HEAD ASSY:

①	1-Way Band Mount	AB-0133
②	2-Way Band Mount	AB-0131
③	1-Way Cable Mount	AB-0157
④	2-Way Cable Mount	AB-0158

ASTRO-BRAC CLAMP KIT:

5	Band Mount	AB-3004
6	Cable Mount	AB-3009
7	GUSSETED TUBE, w/ Vinyl Insert, 1½" Alum TOE	AB-2003

UPPER ARM:

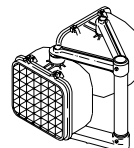
8	1-Way, 14" CTC	AB-0217
9	2-Way	AB-0296

LOWER ARM:

10	1-Way 14" CTC	AB-0219
11	2-Way	AB-0297
12	COVER, 14" CTC, ABS Plastic	AB-0236-M3
13	COVER SET, 2-Way Lower Arm, ABS Plastic	AB-0236-M2
14	HARDWARE KIT, 1-Way Arm	AB-0205
15	SPACER KIT, ICC Ped Head	AB-0299

②

15



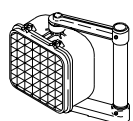
ITEM 1-2 OPTIONS
BAND LENGTH: 29", 36", 42", 48", or 56"
STAINLESS UPGRADE PAINT

Notes:

1. All assemblies are supplied standard with stainless fasteners and natural aluminum alodine coating. Stainless upgrade to include stainless steel clamp screw where applicable.
2. See pages T1-8 thru T1-14 for clamp kit pole diameter options.
3. Most assemblies are available with Stellar Series Clamp Kits. To order use prefix AS with part number.
4. Please specify options when ordering.

③

14



ITEM 3-4 OPTIONS
CABLE LENGTH: 62", 84", or 96"
PAINT

④

