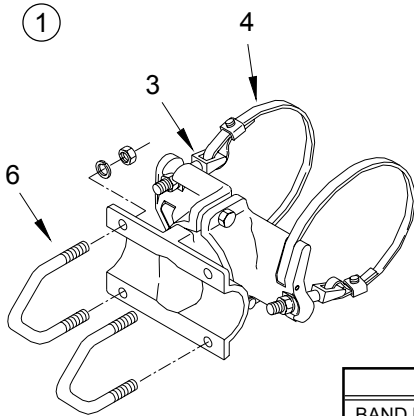


These tensile aluminum alloy clamp kits provide strength with maximum adjustability and complete clamping versatility. They feature an intergral terminal compartment for easy signal wiring and come complete with all necessary attaching hardware.

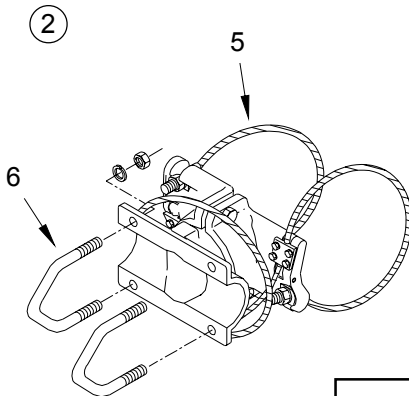
ITEM	DESCRIPTION	PART NO.
STELLAR SERIES CLAMP KIT:		
①	Band Mount	AS-3004
②	Cable Mount	AS-3009
3	CLAMP SCREW KIT, Galv. Screw & Stainless Hdwr.	AB-0204
4	BAND, 5/8", Stainless	AB-0243
5	CABLE ASSEMBLY, Galv. Cable & Stainless Hdwr.	AB-0280
6	U-BOLT KIT, 5/16"-18, Stainless	AB-0256



OPTIONS
BAND LENGTH: 29" fits 4"-8.6" dia. pole
36" fits 4"-10.8" dia. pole
42" fits 4"-12.7" dia. pole
48" fits 4"-14.6" dia. pole
56" fits 4"-17.2" dia. pole
STAINLESS UPGRADE
PAINT

Notes:

- All assemblies are supplied standard with stainless fasteners and natural aluminum alodine coating. Stainless upgrade to include stainless steel clamp screw where applicable.
- Please specify options when ordering.



OPTIONS
CABLE LENGTH: 62" fits 4"-8.6" dia. pole
84" fits 4"-11.6" dia. pole
96" fits 4"-14.6" dia. pole
PAINT