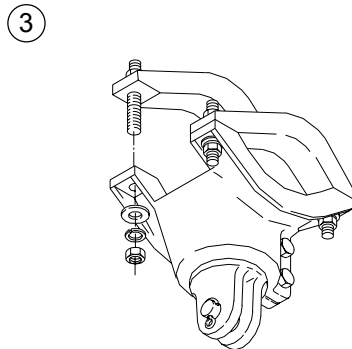
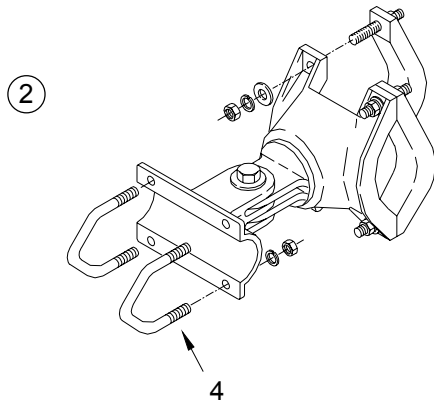
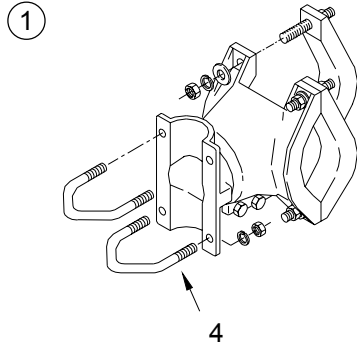


These high tensile aluminum alloy clamp kits provide strength with maximum adjustability and complete clamping versatility. They feature stainless steel studs and cast back half clamps for mounting to plumbizer tenon or small diameter structures. Supplied complete with all necessary attaching hardware.



| ITEM | DESCRIPTION | PART NO. |
|------|-------------|----------|
|------|-------------|----------|

ASTRO-BRAC CLAMP KIT:

| | | |
|---|--|---------|
| ① | Tenon Mount, Fits 1.9" to 4.5" Dia. Pole | AB-3010 |
| ② | Horizontal Articulated Tenon Mount, Fits 1.9" to 4.5" Dia. Pole | AB-3012 |
| ③ | Free-Swinging Cable Mount, 3/4" Clevis | AB-0118 |
| 4 | U-BOLT KIT, 5/16"-18, Stainless | AB-0256 |

Notes:

1. All assemblies are supplied standard with stainless fasteners and natural aluminum alodine coating.
2. Please specify options when ordering.

| OPTIONS |
|---------|
| PAINT |