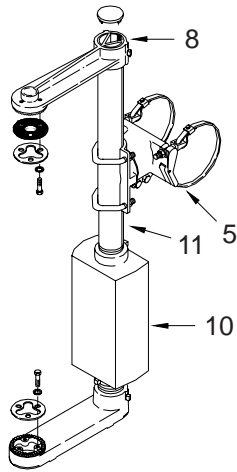


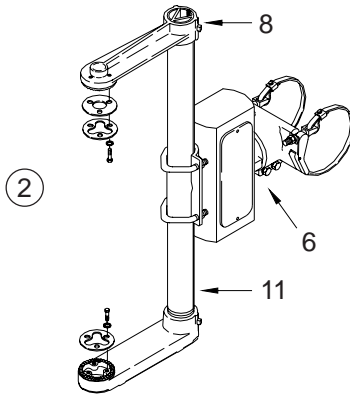
The Astro-Brac in its various configurations is a truly universal system for mounting signals.

When Astro-Brac is required to have a terminal compartment take your pick of in-line or integral clamp kit terminal compartments without sacrificing adjustability.



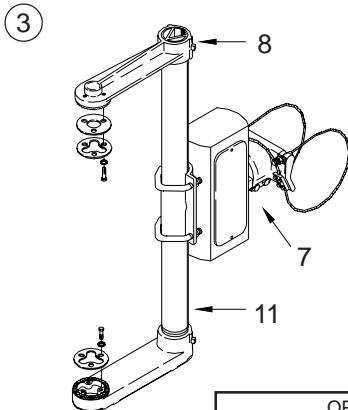
①

IN-LINE OPS ASSY.'S	
Tube Length	Signal Section
37"	3
46"	4
58"	5



②

ITEM 1-2 OPTIONS
SIGNAL SECTION: 1, 2, 3, 4, or 5
BAND LENGTH: 29", 36", 42", 48", or 56"
STAINLESS UPGRADE
PAINT



③

OPTIONS
SIGNAL SECTION: 1, 2, 3, 4, or 5
CABLE LENGTH: 62", 84", or 96"
PAINT

ITEM	DESCRIPTION	PART NO.
------	-------------	----------

TERMINAL COMPARTMENT ASSY.:

①	1-Way In-Line, Band Mount	AB-0112
②	1-Way Mark I, Band Mount	AB-0140
③	1-Way Mark I, Cable Mount	AB-0146
④	5-Sec Cluster, Cable Mount	AB-0147

ASTRO-BRAC CLAMP KIT:

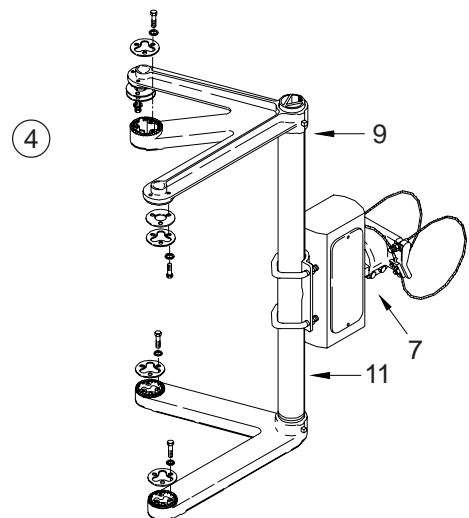
5	Band Mount	AB-3004
6	Mark I Terminal Compartment, Band Mount	AB-3016
7	Mark I Terminal Compartment, Cable Mount	AB-3025

ARM KIT:

8	8½" CTC	AB-4000
9	5-Section Cluster	AB-5001
10	TERMINAL COMPARTMENT, In-Line Flat Back	SE-3101
11	GUSSETED TUBE, 1½" Alum TOE w/ Vinyl Insert	AB-2003

Notes:

1. All assemblies are supplied standard with stainless fasteners and natural aluminum alodine coating. Stainless upgrade to include stainless steel clamp screw where applicable.
2. See pages T1-8 thru T1-14 for clamp kit pole diameter options.
3. Please specify options when ordering.



④

OPTIONS
BAND LENGTH: 29", 36", 42", 48", or 56"
PAINT