

CAMERA MOUNTINGS

Mast Arm, SOP, Post Top, Span Wire



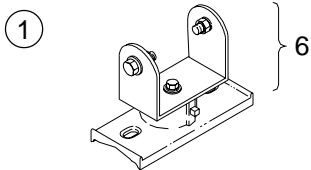
ITEM	DESCRIPTION	PART NO.
------	-------------	----------

VIDEO DETECTION CAMERA BRACKET:

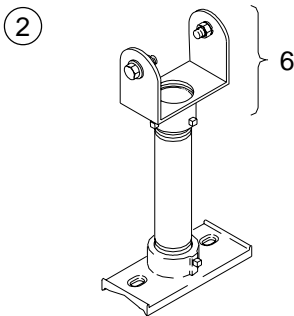
①	Tilt & Pan, Mast Arm Mount	SH-0510
②	Extended Tilt & Pan, Mast Arm Mount	SH-0509
③	Extended Tilt & Pan, Vertical Mount	SH-0527
④	Tilt & Pan, Post Top Mount	SH-0520
⑤	Tilt & Pan, Span Wire Mount	SH-0526

CAMERA MOUNTING BRACKET:

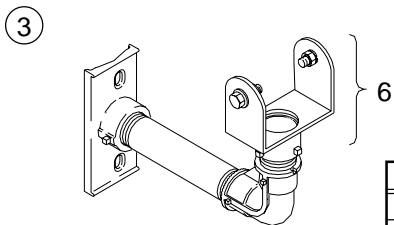
6	1-Piece, Alum.	SH-0514
7	2-Piece, Alum.	SH-0515
8	TETHER ASSY, Break-A-Way for 1½" Pipe, Steel	SE-3055
9	SPAN WIRE CLAMP, Alum w/ U-Bolts	SE-0321



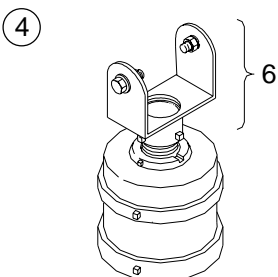
OPTIONS
2-PIECE CAMERA MOUNT
PAINT



OPTIONS
2-PIECE CAMERA MOUNT
NIPPLE LENGTH: 6", 10", 11", or 12"
PAINT



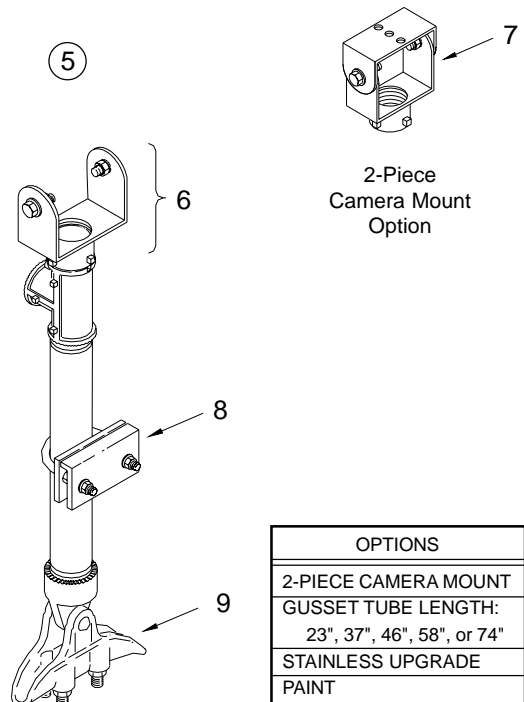
OPTIONS
2-PIECE CAMERA MOUNT
NIPPLE LENGTH: 11", 12", or 24"
PAINT



OPTIONS
2-PIECE CAMERA MOUNT
PAINT

Notes:

1. All assemblies are supplied standard with stainless steel fasteners. Stainless steel upgrade shall include stainless hardware on span wire clamp where applicable.
2. 1-piece bracket for mounting Iteris, Odetics, or Econolite Solo Pro type cameras. 2-piece bracket for mounting Burle type cameras.
3. Please specify options when ordering.



OPTIONS
2-PIECE CAMERA MOUNT
GUSSET TUBE LENGTH: 23", 37", 46", 58", or 74"
STAINLESS UPGRADE
PAINT