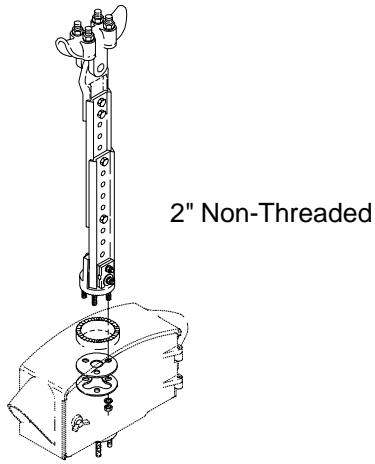


# FREE-SWINGING SIGNAL MTGS Hanger Assemblies



ITEM	DESCRIPTION	PART NO.
①	TRI-STUD BALANCE ASSY, 3/4" Width .....	SE-5034
②	TRI-STUD HANGER & BODY ASSY, Alum. ....	SE-5036
ADJUSTABLE TRI-STUD HANGER ASSY:		
③	Alum w/ Span Wire Clamp & Tether .....	SE-5118
④	Alum w/ Tether .....	SE-5055
⑤	CABLE CLAMP KIT, 2-Cable, Alum. ....	SE-4201
6	HARDWARE KIT, Tri-Stud w/ Gasket, 5/16" .....	SE-5048

Notes:

1. All assemblies are supplied standard with stainless steel fasteners and galvanized hardware on span wire clamps. Stainless upgrade shall include stainless steel hardware on span wire clamps.
2. Please specify options when ordering.

