

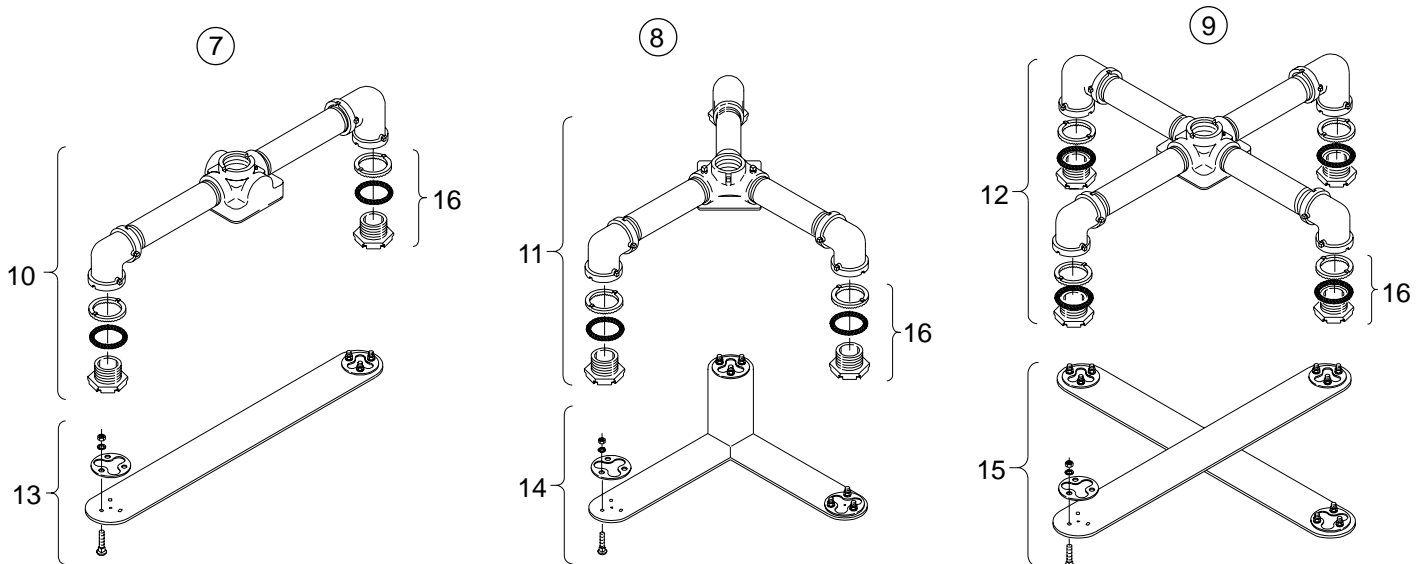
ITEM 1-6 OPTIONS
STAINLESS UPGRADE
PAINT

ITEM	DESCRIPTION	PART NO.
SPAN WIRE HANGER ASSY:		
①	Iron	SE-3070
②	Iron w/ Balance Adjuster	SE-3273
③	Iron w/ PAL Balance Adjuster	SE-3275
④	1-Way, Iron w/ Closure Kit	SE-3139
⑤	1-Way, Iron w/ Balance Adjuster	SE-3151
⑥	1-Way, Iron w/ PAL Balance Adjuster	SE-3277
UPPER & LOWER ARM ASSY:		
⑦	2-Way, 16½" CTC, Iron	SE-3154
⑧	3-Way, 16½" CTC, Iron	SE-3156
⑨	4-Way, 16" CTC, Iron	SE-3158
UPPER ARM ASSY:		
10	2-Way, 16½" CTC, Iron	SE-3153
11	3-Way, 16½" CTC, Iron	SE-3155
12	4-Way, 16½" CTC, Iron	SE-3157
LOWER ARM ASSY:		
13	2-Way, 16½" CTC, Steel	SE-3022
14	3-Way, 16½" CTC, Steel	SE-3024
15	4-Way, 16½" CTC, Steel	SE-3026
16	UPPER ASSY KIT, Iron	SE-3150

Notes:

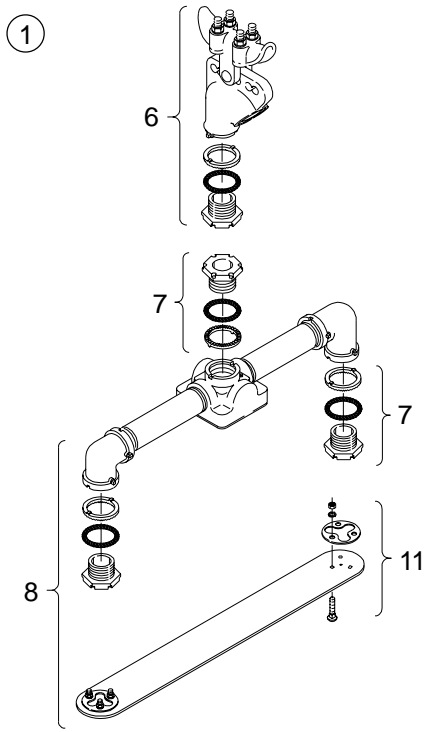
1. All assemblies are supplied standard with stainless steel fasteners and galvanized hardware on span wire clamps. Stainless upgrade shall include stainless steel hardware on span wire clamps.
2. Please specify options when ordering.

ITEM 7-9 OPTIONS
PAINT



FREE-SWINGING SIGNAL MTGS

Iron Span Wire, 1½"



ITEM	DESCRIPTION	PART NO.
------	-------------	----------

SPAN WIRE ASSY:

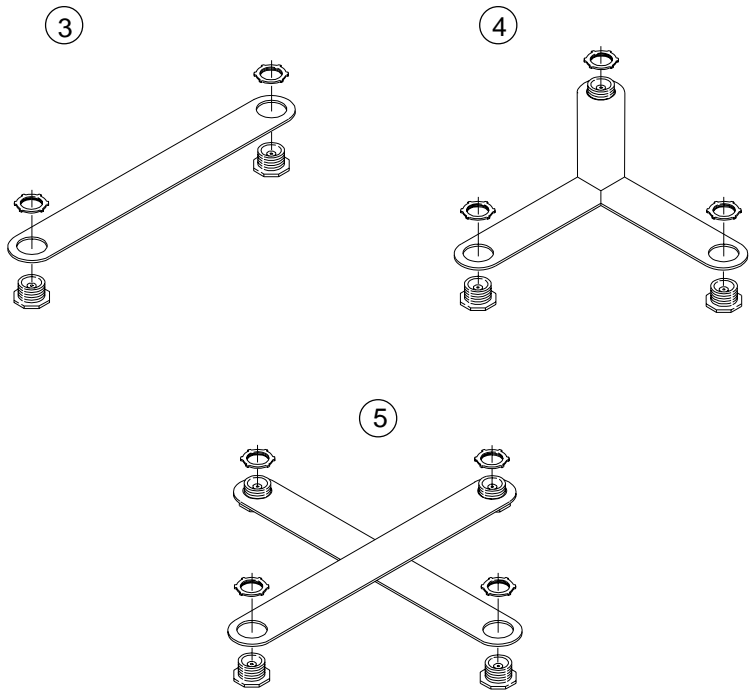
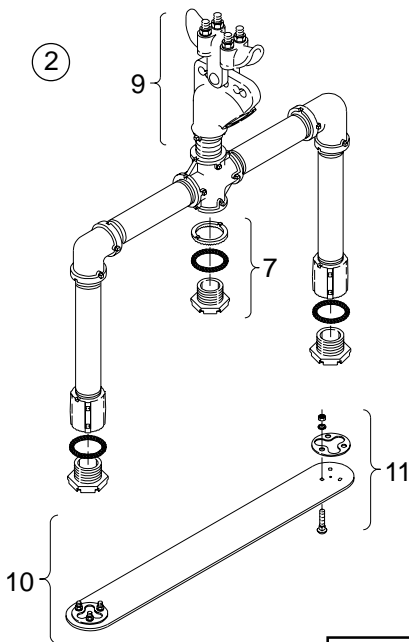
①	5-Sec Cluster, 16½" CTC, Iron	SE-3160
②	5-Sec Cluster, 16½" CTC, Iron	SE-3161

LOWER ARM ASSY:

③	2-Way, 16½" CTC, Steel	SE-3162
④	3-Way, 16½" CTC, Steel	SE-3163
⑤	4-Way, 16½" CTC, Steel	SE-3164
6	SPAN WIRE HANGER ASSY., Iron	SE-3159
7	UPPER ASSEMBLY KIT, Iron	SE-3150
8	UPPER & LOWER ARM ASSY., 2-Way, Iron	SE-3154
9	SPAN WIRE HANGER ASSY., Iron	SE-3070
10	LOWER ARM ASSY., 2-Way, Steel	SE-3022
11	LOWER ASSY KIT, ¼"	SE-3021

Notes:

1. All assemblies are supplied standard with stainless steel fasteners and galvanized hardware on span wire clamps. Stainless upgrade shall include stainless steel hardware on span wire clamps.
2. Please specify options when ordering.



ITEM 1-2 OPTIONS
STAINLESS HARDWARE
PAINT

ITEM 3-5 OPTIONS
PAINT