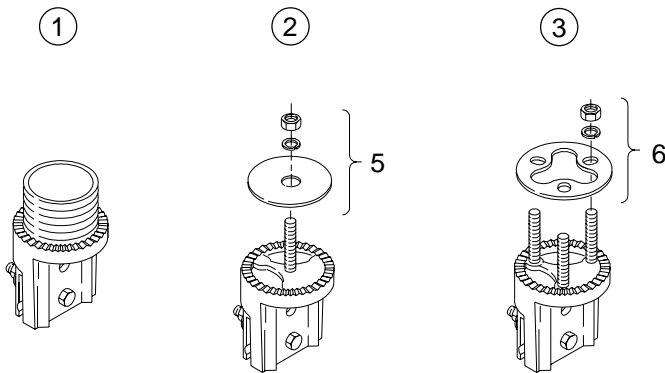


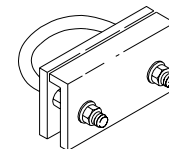
ITEM	DESCRIPTION	PART NO.
<b>TETHER ASSEMBLY:</b>		
①	1½" Break-Away, Alum .....	SE-5121
②	Tri-Stud Break-Away, Alum .....	SE-5050
③	Single-Stud Break-Away, Alum .....	SE-5058
④	Break-Away Tether Assy, 1½" Pipe, Steel .....	SE-3055
<b>HARDWARE KIT:</b>		
5	Single Stud, 5/16" .....	SE-5064
6	Tri-Stud w/o Gasket, 5/16" .....	SE-5035

**Notes:**

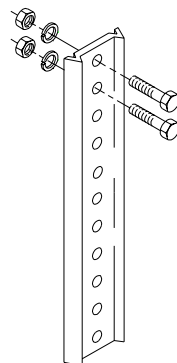
1. All assemblies are supplied standard with stainless steel fasteners.
2. Please specify options when ordering.



④



<b>ITEM 1-3 OPTIONS</b>
EXTENDER: 11", 19" or 72"
PAINT



Extender  
Option

<b>OPTIONS</b>
PAINT