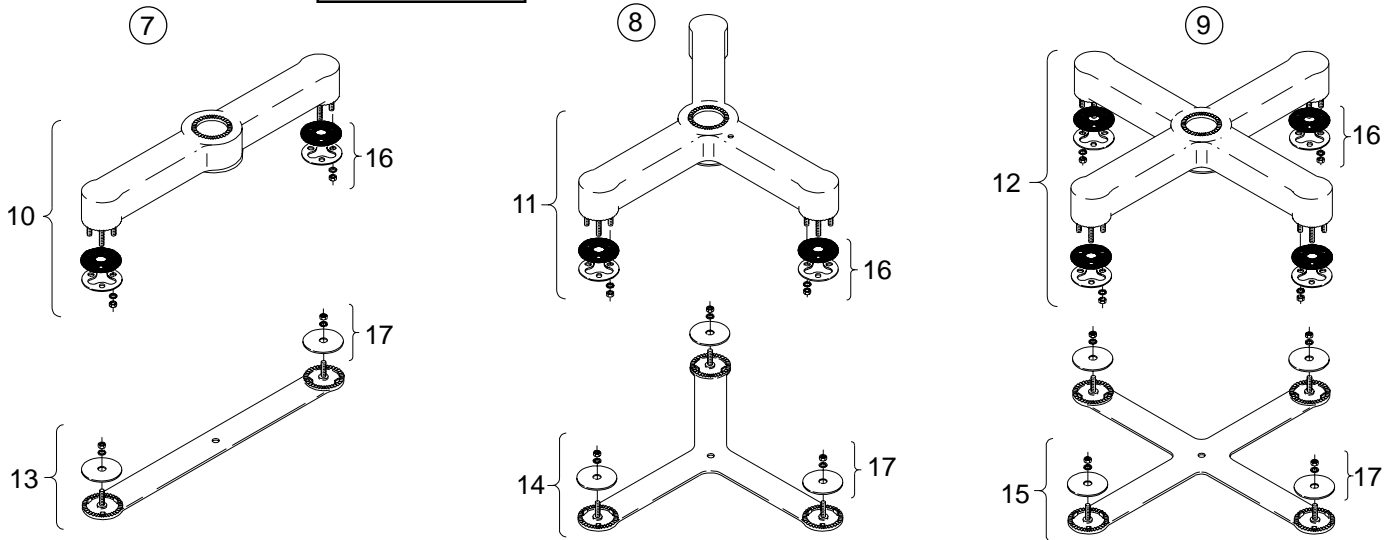


ITEM 1-6 OPTIONS
STAINLESS UPGRADE
PAINT

ITEM 7-9 OPTIONS
PAINT



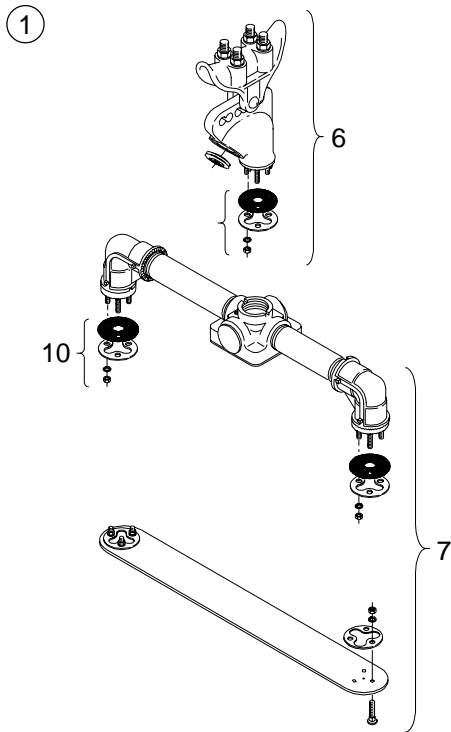
ITEM	DESCRIPTION	PART NO.
TRI-STUD WIRE HANGER ASSY:		
①	Alum	SE-5063
②	Alum w/ Iron Balance Adjuster	SE-5088
③	Alum w/ PAL Balance Adjuster	SE-5163
④	1-Way Alum w/ Signal Closure Kit	SE-5089
⑤	1-Way Alum w/ Balance Adjuster	SE-5162
⑥	1-Way Alum w/ PAL Balance Adjuster	SE-5164
UPPER & LOWER TRI-STUD ARM ASSY:		
⑦	2-Way, 17" CTC, Alum.	SE-5061
⑧	3-Way, 17" CTC, Alum.	SE-5094
⑨	4-Way, 17" CTC, Alum.	SE-5097
TRI-STUD UPPER ARM:		
10	2-Way, 17" CTC, Alum.	SE-5059
11	3-Way, 17" CTC, Alum.	SE-5092
12	4-Way, 17" CTC, Alum.	SE-5095
SINGLE STUD LOWER ARM:		
13	2-Way, 17" CTC, Alum.	SE-5060
14	3-Way, 17" CTC, Alum.	SE-5093
15	4-Way, 17" CTC, Alum.	SE-5096
HARDWARE KIT:		
16	Tri-Stud w/ Gasket, 5/16"	SE-5048
17	Single Stud, 5/16"	SE-5064

Notes:

1. All assemblies are supplied standard with stainless steel fasteners and galvanized hardware on span wire clamps. Stainless upgrade shall include stainless steel hardware on span wire clamps.
2. Please specify options when ordering.

FREE-SWINGING SIGNAL MTGS

Tri-Stud Span Wire



ITEM	DESCRIPTION	PART NO.
SPAN WIRE HANGER ASSY:		
①	5-Section Cluster, 16½" CTC, Alum.	SE-5166
②	5-Section Cluster, 17" CTC, Alum.	SE-5165
③	Alum w/ Iron Span Wire Clamp & Tri-Stud Wire Outlet Body ...	SE-5072
④	Alum w/ Iron Span Wire Clamp, Tri-Stud Wire Outlet Body, & Tether	SE-5024
⑤	W/ Alum Span Wire Clamp, Tri-Stud Wire Outlet Body, & Tri-Stud Tether	SE-5073
6	TRI-STUD WIRE HANGER ASSY, Alum.	SE-5063
UPPER & LOWER TRI-STUD ARM ASSY:		
7	2-Way 16½" CTC, Alum.	SE-5013
8	2-Way, 17" CTC, Alum.	SE-5061
HARDWARE KIT:		
9	Signal to Signal	SE-3117
10	Tri-Stud w/ Gasket, 5/16"	SE-5048
11	Single Stud, 5/16"	SE-5064
12	Tri-Stud w/o Gasket, 5/16"	SE-0398

Notes:

- All assemblies are supplied standard with stainless steel fasteners and galvanized hardware on span wire clamps. Stainless upgrade shall include stainless steel hardware on span wire clamps.
- Specify options when ordering.

OPTIONS
STAINLESS UPGRADE
PAINT

