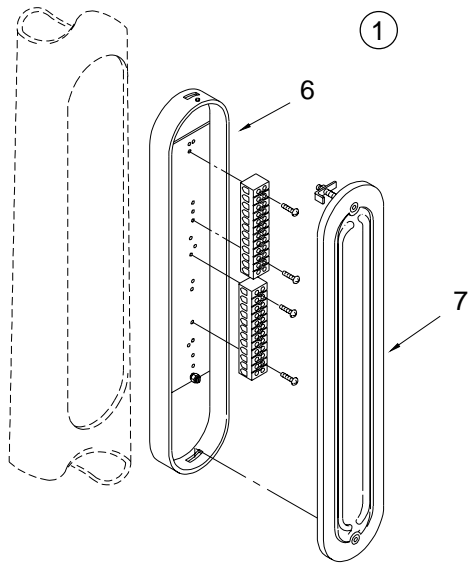




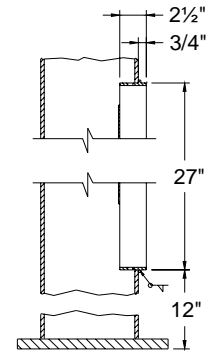
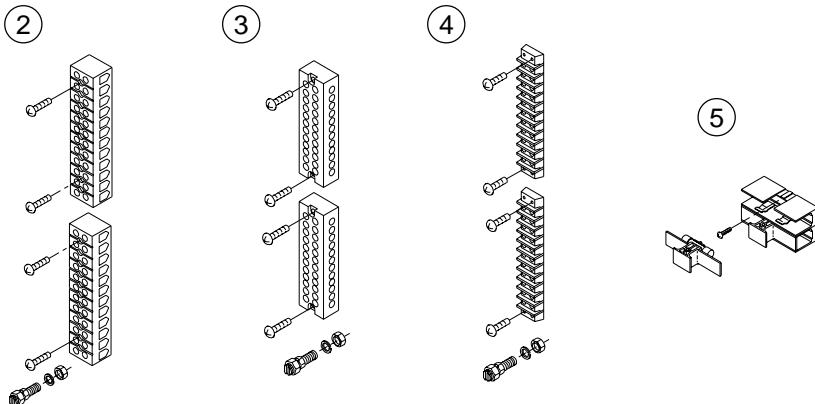
ITEM	DESCRIPTION	PART NO.
①	ITC ACCESS COMPARTMENT, 3/8" x 4-3/4" x 27" w/ 12 Circuit.....	AP-1083
TERMINAL BLOCK ASSY.:		
②	85 Amp, 600V Compression Terminal Block (UL Rated) w/ Hdwr and Copper Ground Connector	AP-1082
③	20 Amp, 600V Compression Terminal Block w/ Hdwr and Copper Ground Connector	AP-1065
④	30 Amp, 600V Terminal Strip Barrier Type w/ Hdwr and Copper Ground Connector	AP-1074
⑤	DOUBLE FUSE BLOCK KIT, 3 Amp, 500V	AP-1081
6	ITC ACCESS RING WELDMENT	
	3/8" x 4-3/4" x 27", steel w/ 4" x 6" Opening	AP-0449
7	COVER ASSEMBLY, Vacuum formed ABS	AP-1087



Notes:

1. All assemblies are supplied standard with stainless steel fasteners.
2. Terminal block conductor range for UL rated compression block option is 1-#18 thru 4-#10 per screw.
3. Terminal block conductor range for compression block option is 1-#18 thru 3-#12 per screw.
4. Please specify options when ordering.

OPTIONS
TERMINAL BLOCK:
Compression, UL rated
Compression
Barrier
DOUBLE FUSE BLOCK



Pole and Ring Section