

ITEM	DESCRIPTION	PART NO.
------	-------------	----------

POLE & BASE COLLAR ASSEMBLY:

①	For Square Base, Alum	PB-5325
②	For Octagonal Base, Alum	PB-5326
③	PEDESTAL ADAPTER, 4" Pole, 6½" BC, Alum	SE-3104
④	UNIVERSAL HAND HOLE COVER ABS Plastic, fits 2-3/4" x 4½" to 5" x 8"	PB-5356
⑤	GROUNDING LUG w/ Mounting Hardware	PB-5323
⑥	ANCHOR BOLT ADAPTER, Alum	PB-0532

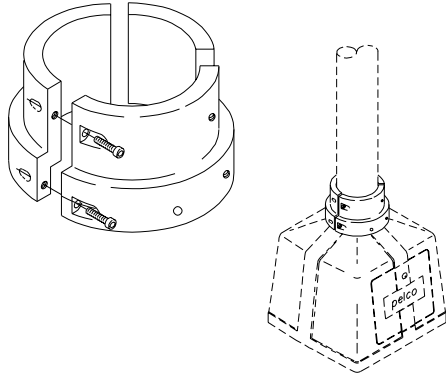
Notes:

1. All assemblies are supplied standard with stainless steel fasteners.
2. Please specify options when ordering.

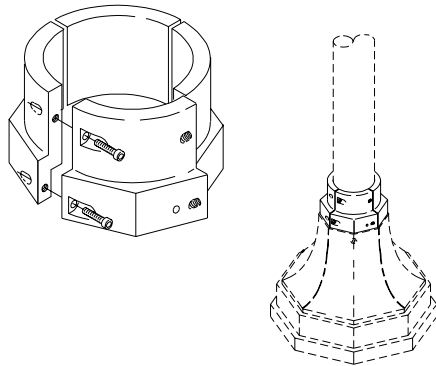
ITEM 1-4 OPTIONS

PAINT

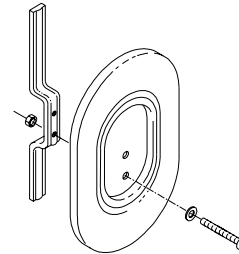
①



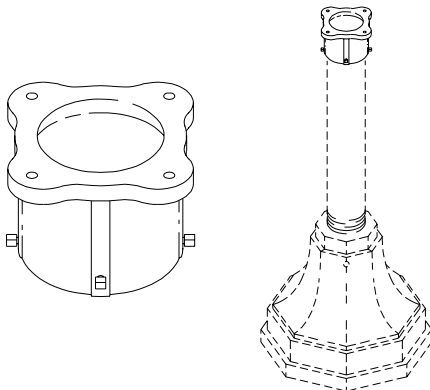
②



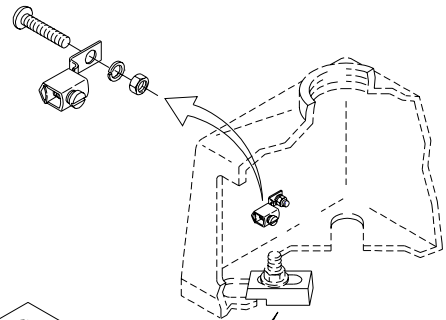
④



③



⑤



⑥

