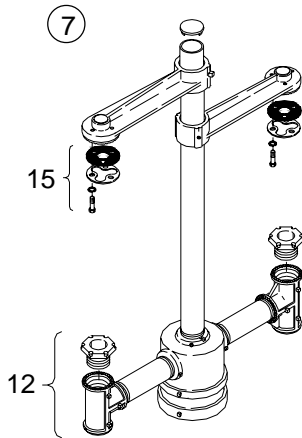
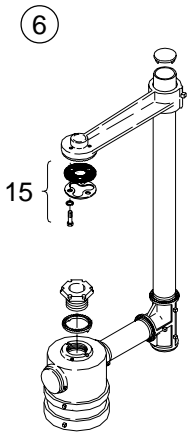
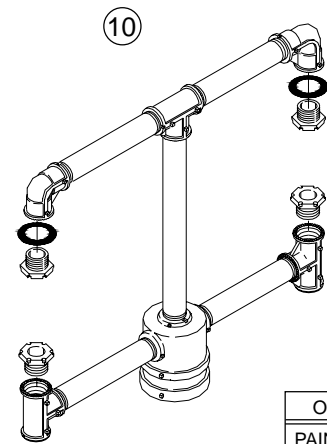
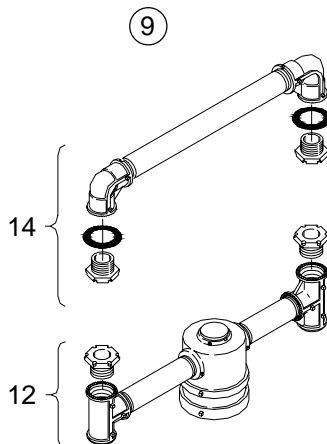
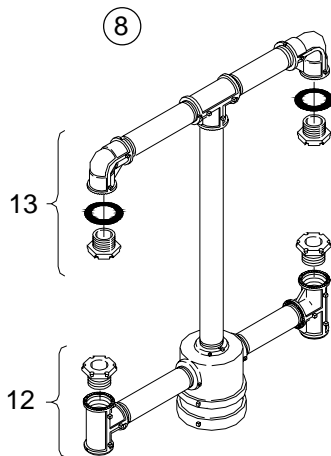


ITEM 1-5 OPTIONS
PAINT



ITEM 6-9 OPTIONS
SIGNAL SECTION: 3, 4, or 5
PAINT



OPTIONS
PAINT

ITEM	DESCRIPTION	PART NO.
SLIP FITTER:		
①	1-Way, Alum.	SE-3106
②	1-Way Offset, Alum.	SE-3107
③	1 & 2-Way, Alum.	SE-3002
④	3 & 4-Way, Alum.	SE-3029
⑤	SLIP FITTER ASSY, 1 & 2-Way, Alum.	SE-3037
POST TOP ASSY:		
⑥	1-Way, Alum.	SE-3012
⑦	Variable 2-Way, Alum.	SE-3116
⑧	2-Way, Alum.	SE-3053
⑨	2-Way, Alum.	SE-3089
10	POST TOP ASSY, 2-Way, For ICC Ped Heads, Alum.	SE-3257
11	SIGNAL MOUNTING KIT, Alum.	SE-3003
12	LOWER ARM ASSY, 2-Way, Alum.	SE-3005
UPPER ARM ASSY:		
13	2-Way, Alum.	SE-3010
14	2-Way, Alum.	SE-3004
15	HARDWARE KIT, Tri-Stud w/ Gasket, 1/4"	SE-0398

Notes:

1. All assemblies are supplied standard with stainless steel fasteners.
2. Please specify options when ordering.