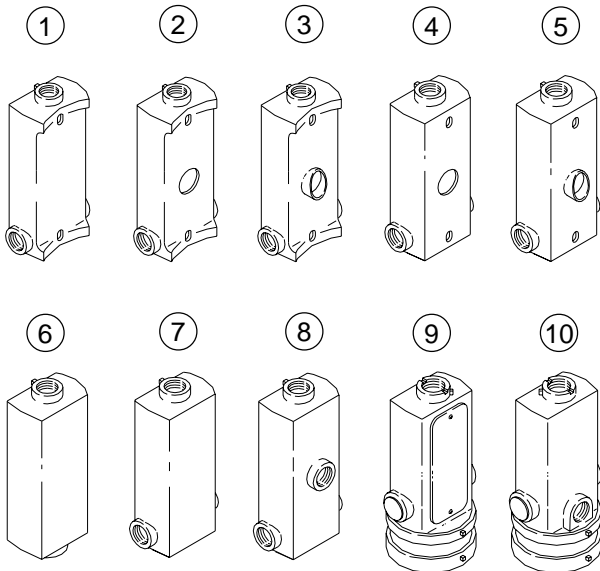




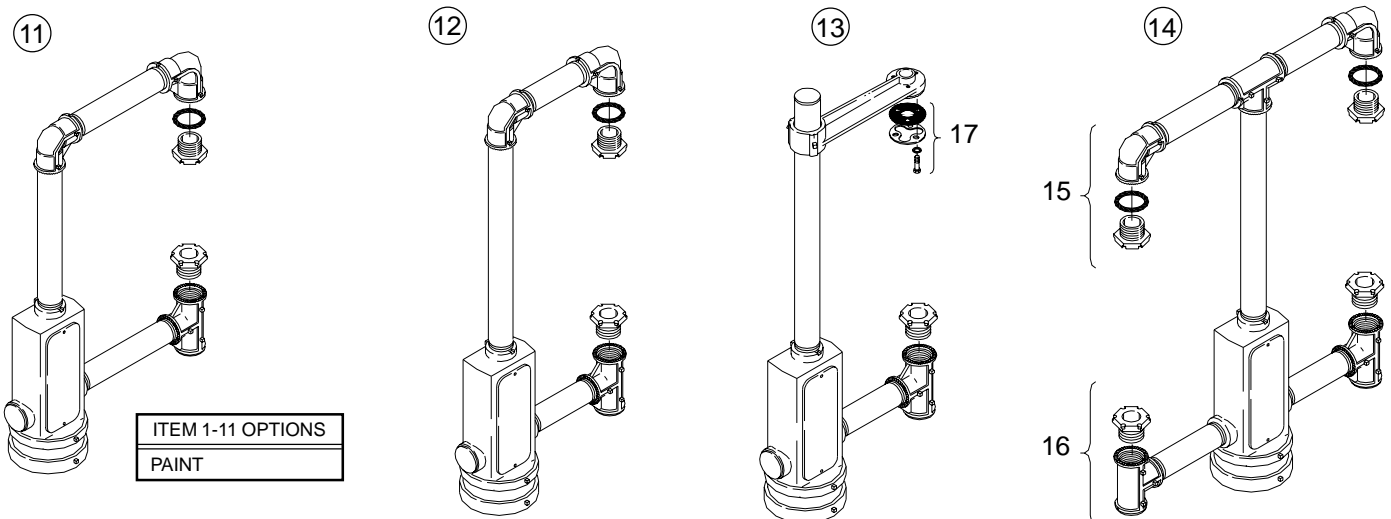
ITEM	DESCRIPTION	PART NO.
2-WAY SADDLE BACK TERMINAL COMPARTMENT:		
①	w/ Terminal Block & Mtg. Holes, Alum	SE-3080
②	w/ Terminal Block, Cable Entrance & Mtg. Holes, Alum.	SE-3081
③	w/ Terminal Block, Cable Guide & Mtg. Holes, Alum.	SE-3078
2-WAY FLAT BACK TERMINAL COMPARTMENT:		
④	w/ Terminal Block, Cable Entrance & Mtg. Holes, Alum.	SE-3082
⑤	w/ Terminal Block, Cable Guide & Mtg. Holes, Alum.	SE-3079
⑥	w/ Terminal Strip, Alum.	SE-3083
⑦	w/ Terminal Strip & Rear Hub, Alum.	SE-3084
⑧	w/ Terminal Strip, Top & Bottom Hub Only, Alum.	SE-3101
VERTICAL POST TOP TERMINAL COMPARTMENT :		
⑨	2-Way w/ Terminal Strip, Alum.	SE-3027
⑩	3-Way w/ Terminal Strip, Alum.	SE-3074
⑪	VERTICAL POST TOP ASSY, 1-Way for ICC Ped Head, Alum.	SE-3271
VERTICAL POST TOP ASSY:		
⑫	1-Way Alum.	SE-3270
⑬	1-Way Alum.	SE-3013
⑭	2-Way 16½" Alum.	SE-3048
15	UPPER ARM ASSY, 2-Way, Alum.	SE-3010
16	LOWER ARM ASSY, 2-Way Term. Comp, Alum.	SE-3011
17	HARDWARE KIT, Tri-Stud w/ Gasket, 1/4"	SE-0398



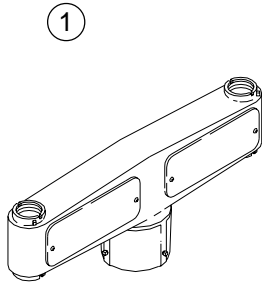
Notes:

1. All assemblies are supplied standard with stainless fasteners.
2. Please specify options when ordering.

ITEMS 12-14 OPTIONS
SIGNAL SECTION: 3, 4, or 5
PAINT



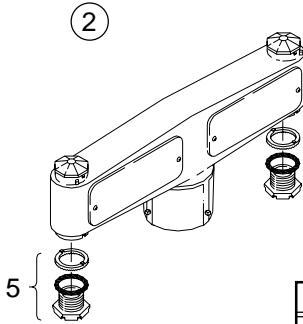
ITEM 1-11 OPTIONS
PAINT



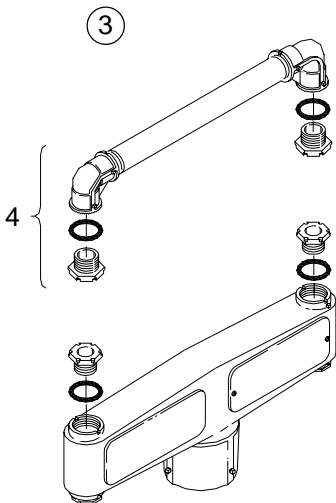
ITEM	DESCRIPTION	PART NO.
HORIZONTAL POST TOP TERMINAL COMPARTMENT ASSY:		
①	24" CTC w/ Terminal Strip, Alum.	SE-3143
②	24" CTC w/ Terminal Strip & Upper Assy Kits, Alum.	SE-3135
③	24" CTC w/ Terminal Strip & Upper Arm Assy, Alum..	SE-3141
4	UPPER ARM ASSY, 2-Way, Alum.	SE-3010
5	UPPER ASSEMBLY KIT, Alum.	SE-3042

Notes:

1. All assemblies are supplied standard with stainless fasteners.
2. Please specify options when ordering.



ITEMS 1-2 OPTIONS
REAR HUB
TERMINAL STRIPS: 1 or 2
PAINT



OPTIONS
TERMINAL STRIPS: 1 or 2
PAINT