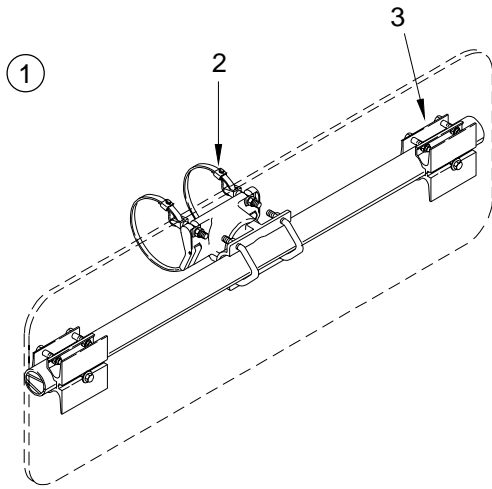


# SIGN MOUNTINGS

## Astro Sign-Brac® Band Mount



ITEM	DESCRIPTION	PART NO.
①	ASTRO SIGN-BRAC, Band Mount for Overhead Street Name Signs .....	AB-0128
2	CLAMP KIT, Band Mount .....	AB-3004
3	SIGN CLAMP, 4" w/ AB-5010 Hardware Kit .....	AB-0502

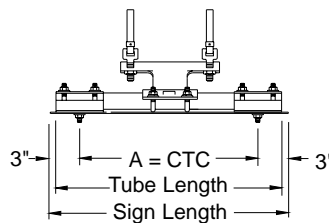
**Notes:**

1. All assemblies are supplied standard with stainless fasteners and natural aluminum alodine coating. Stainless upgrade to include stainless steel clamp screws.
2. Suggested maximum sign face of 16 sq. ft. per bracket.
3. Sign-Brac assemblies are available with Stellar Series Clamp Kits. To order, use prefix AS with part number.
4. Please specify options when ordering.

OPTIONS
CTC DIMENSIONS (see charts)
BAND LENGTH: 29", 36", 42", 48", or 56"
STAINLESS UPGRADE
PAINT

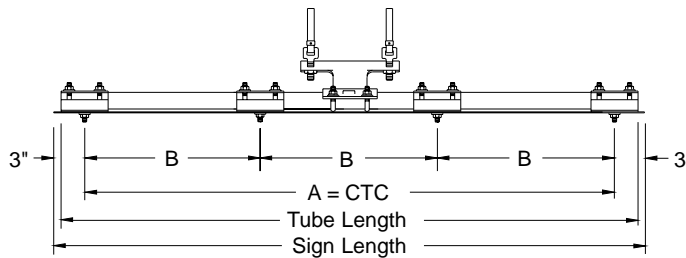
SIGNS 1'-6" to 3'-0" LONG		
SIGN LENGTH	TUBE LENGTH	CTC A
1'-6"	16"	12"
2'-0"	22"	18"
2'-6"	28"	24"
3'-0"	34"	30"

Maximum sign height: 48"



SIGNS 3'-6" to 8'-0" LONG			
SIGN LENGTH	TUBE LENGTH	CTC A	B
3'-6"	40"	36"	12"
4'-0"	46"	42"	14"
4'-6"	52"	48"	16"
5'-0"	58"	54"	18"
5'-6"	64"	60"	20"
6'-0"	70"	66"	22"
6'-6"	76"	72"	24"
7'-0"	82"	78"	26"
7'-6"	88"	84"	28"
8'-0"	94"	90"	30"

Maximum sign height: 24"



SIGNS 8' to 10' LONG				
SIGN LENGTH	TUBE LENGTH	CTC A	B	C
8'-6"	100"	96"	19"	20"
9'-0"	106"	102"	20"	22"
9'-6"	112"	108"	21"	24"
10'-0"	118"	114"	22"	26"

Maximum sign height: 16"

