



ITEM	DESCRIPTION	PART NO.
------	-------------	----------

**ASTRO SIGN-BRAC:**

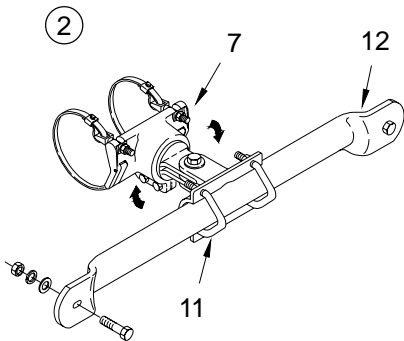
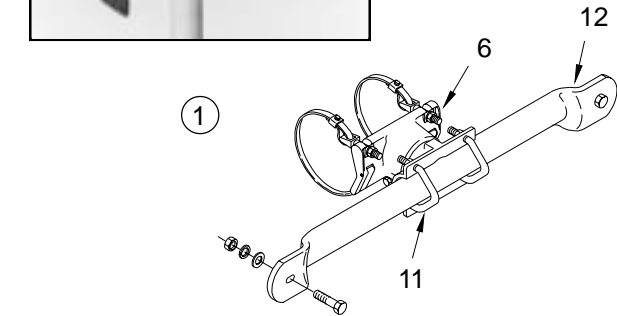
- ① Band Mount ..... AB-0105
- ② Horizontal Articulated Band Mnt ..... AB-0135
- ③ Cable Mount ..... AB-0142
- ④ Horizontal Articulated Cable Mnt ..... AB-0136
- ⑤ Vertical Extended Band Mount ..... AB-0134

**ASTRO-BRAC CLAMP KIT:**

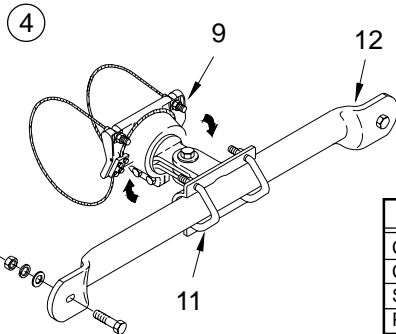
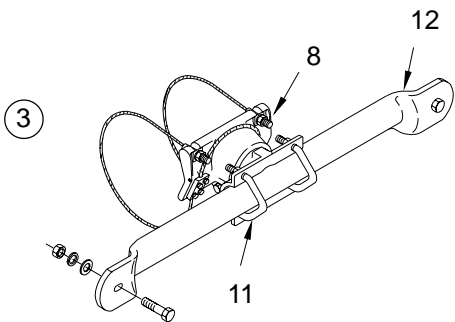
- 6 Band Mount ..... AB-3004
- 7 Horizontal Articulated Band Mount ..... AB-3011
- 8 Cable Mount ..... AB-3009
- 9 Horizontal Articulated Cable Mount ..... AB-3013
- 10 1½" Threaded Band Mount ..... AB-3006
- 11 U-BOLT KIT, 5/16"-18, Stainless ..... AB-0256
- 12 SIGN MOUNTING BRAC w/ Hardware ..... AB-0283

**Notes:**

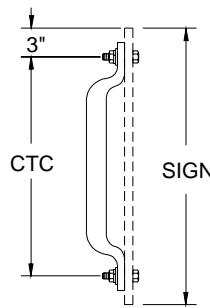
- All assemblies are supplied standard with stainless fasteners and natural aluminum alodine coating. Stainless upgrade to include stainless steel clamp screw where applicable.
- Suggested maximum sign face of 16 sq. ft. per bracket.
- Sign-Brac assemblies are available with Stellar Series Clamp Kits. To order, use prefix AS with part number.
- Please specify options when ordering.



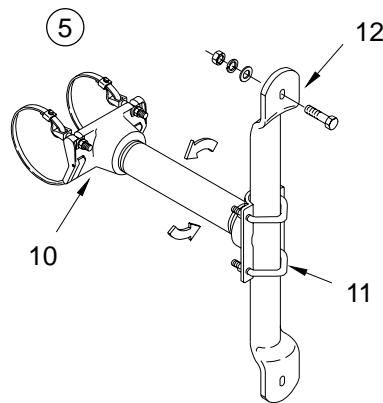
ITEM 1-2 OPTIONS	
CTC DIMENSION (see chart)	
BAND LENGTH:	29", 36", 42", 48", or 56"
STAINLESS UPGRADE	
PAINT	



ITEM 3-4 OPTIONS	
CTC DIMENSION (see chart)	
CABLE LENGTH:	62", 84", or 96"
STAINLESS UPGRADE	
PAINT	



TUBE CTC	SIGN
9"	15"
12"	18"
15"	21"
18"	24"
24"	30"
30"	36"
36"	42"
42"	48"
48"	54"
60"	66"
66"	72"
72"	78"



OPTIONS	
CTC DIMENSION (see chart)	
BAND LENGTH:	29", 36", 42", 48", or 56"
NIPPLE LENGTH:	5", 6", or 8"
STAINLESS UPGRADE	
PAINT	