



TF: (888) 446-9255
PH: (916) 394-9884
FX: (916) 394-9894
EM: sales@xwalk.com
WEB: www.xwalk.com
 Traffic Safety Corporation
 3513 La Grande Blvd.
 Sacramento, CA 95823-1010

Traffic Safety Corp.
Power Adapter
For Inpavement Lights

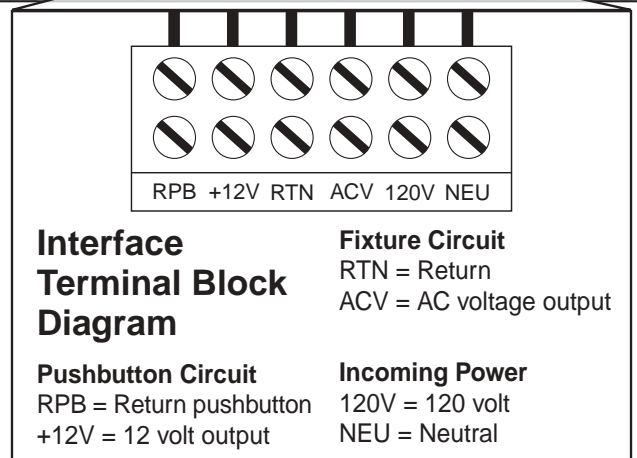
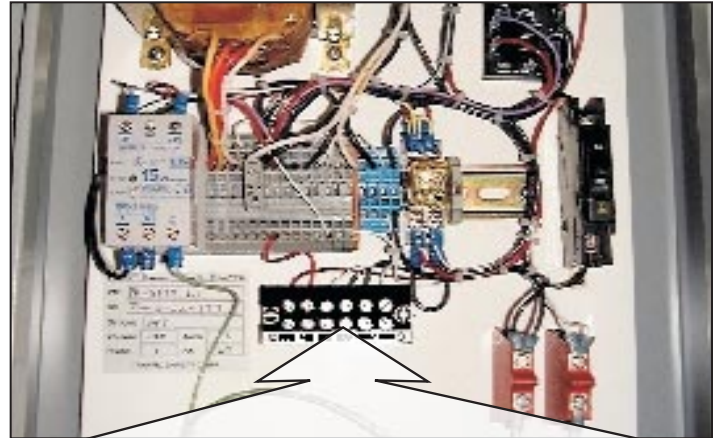
Power Adapter General Description

Pedestrians activate the crosswalk warning system by pressing a pedestrian pushbutton or triggering an automatic activation device. The Power Adapter responds by activating the inpavement lights for a predetermined duration (usually 4 feet of crossing equals 1 second duration) and flash rate (normally one second on and one second off).

The unit features an easy-to-use connector interface block for: 1) input power, 2) activation system and 3) inpavement lighting circuit.

Why Our Power Adapter is Better

- Watertight NEMA 4 cabinet (20"x16"x6"; see additional specifications on back).
- Extremely reliable solid state timers.
- All electronics protected by top of the line lightning arrestors (rated at 18,000 Amps for 10 milliseconds) and a 15 Amp circuit breaker.
- Connector interface block simplifies field installation.
- One year warranty.



Ordering Codes

# of Systems	Input Power	Activation	Output Power	# of Fixtures	# of Lamps	Optional Outputs for Auxiliary Equipment	Type of Enclosure
Specify	A 120 Volt AC B 240 Volt AC C Solar	1 12 Volt DC 2 24 Volt DC 3 Polara Model X	H 6.6 Amp J 120 Volt AC K 12 Volt DC (LED)			P None Q 120 Volt AC Steady Burn* R 120 Volt Flashing* S 12 Volt DC Steady Burn* T 12 Volt DC Flashing*	1 None 2 NEMA 4 Painted 3 Customer Supplied 4 Other, e.g. Special Order

Sample Order #1

1	A	1	J	8	8	RT	2
---	---	---	---	---	---	----	---

Sample Order #2

1	A	3	H	6	6	R	2
---	---	---	---	---	---	---	---

--	--	--	--	--	--	--	--

--	--	--	--	--	--	--	--

Visit our web site: www.xwalk.com



TF: (888) 446-9255
PH: (916) 394-9884
FX: (916) 394-9894
EM: sales@xwalk.com
WEB: www.xwalk.com
 Traffic Safety Corporation
 3513 La Grande Blvd.
 Sacramento, CA 95823-1010

Traffic Safety Corp.
Power Adapter
For Inpavement Lights

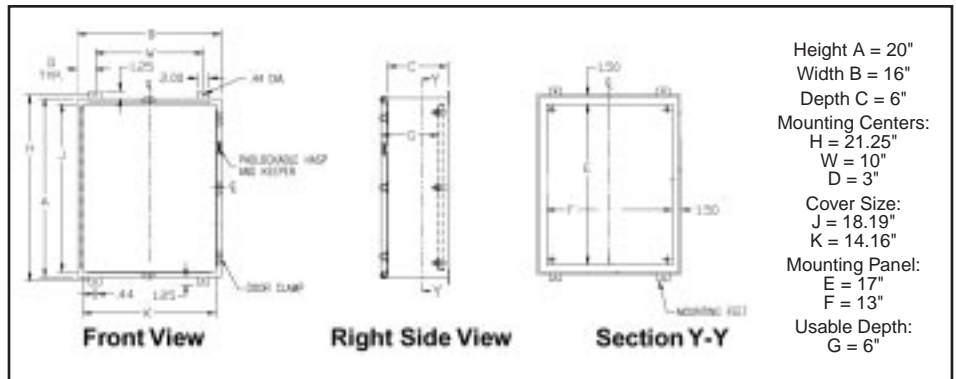


Single Door Carbon Steel Cabinet

These NEMA 4 rated enclosures are designed for indoor or outdoor use and can be used for many different applications. They protect installed equipment against splashing water, seepage of water, falling or hose directed water and severe external condensation.

Advantages

- Continuously welded seams, finished smooth
- Robotically applied urethane gasket
- Continuous steel hinge
- Stainless steel captive clamps
- Hasp and staple provided for padlocking
- Mounting panel provisions installed



- External mounting brackets
- Print pocket included

Specifications
Finish/color:

- Enclosure/door: polyester-urethane powder coat over phosphatized surfaces, inside and outside - ANSI 61 grey
- White mounting panel

Material:

- Enclosure/door: 14 gauge carbon steel

Ratings/approvals:

- NEMA 4
- UL listed
- CUL listed

[Visit our web site: www.xwalk.com](http://www.xwalk.com)