

PUSH BUTTON STATION

The 4 Wire Navigator PBS is the pedestrian interface to the Navigator Accessible Pedestrian Signal. The PBS provides valuable information and cues via both a vibrating arrow button and audible sounds making the intersection accessible for all pedestrians. All sounds emanate from the back of the unit via a weather-proof speaker that is protected by a vandal resistant screen. A sunlight visible LED latches "ON" to confirm the button has been pushed. Each PBS connects to a Control Unit located inside its associated ped sign housing. A four wire cable connects the PBS to the power unit.

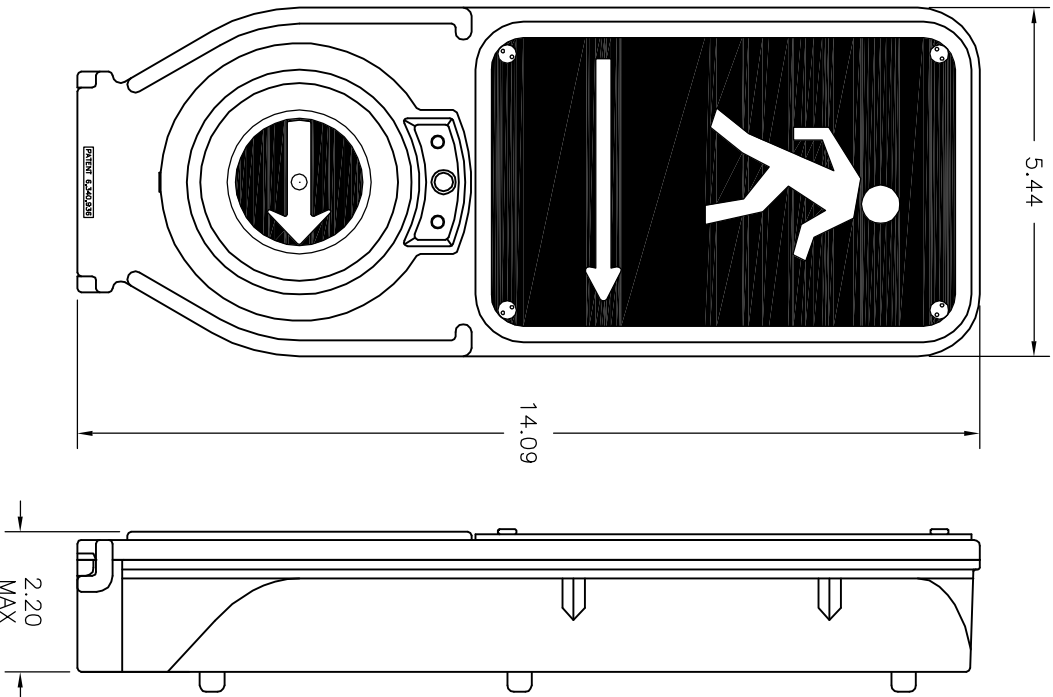
PBS includes:

Frame with Option "A" sign, ADA compliant push button, and mounting hardware.

By interfacing with the Control Unit that installs in the Pedestrian Walk Sign, the PBS can provide the following standard features.

- Confirmation of button push via latching LED, sound, and vibrotactile bounce.
- Direction of travel (with extended button push).
- Standard locating tone during Don't Walk (and clearance if desired).
- Cuckoo, chirp, or standard voice message during walk.
- Vibrating button during walk.
- Standard locating tone, custom sound, or verbal countdown during PED clearance.
- All sounds automatically adjust to ambient over 60dB range.
- Most sounds can have minimum and maximum volume independently set.
- Extended button push can turn on and/or boost volumes during the next walk cycle.

Additional custom options listed on page 2.



INFORMATION ON THIS DOCUMENT IS  
FOR THE USE OF THE CLIENT ONLY.  
IT IS TO BE USED AS A REFERENCE  
AND NOT BE COPIED, REPRODUCED  
OR DISCLOSED IN WHOLE OR IN PART  
WITHOUT WRITTEN CONSENT OF POLARA

Revised		-		01/09/04																	
<p><b>POLARA ENGINEERING INC.</b>                  4115 W. ARTESIA AVE. FULLERTON, CA. 92833                  TOLERANCES: .XXX ±.005 .XX ±.02 (EXCEPT AS NOTED)                  SCALE 1:3</p>																					
DRAWN BY		CKR.		ENG. MGR.		MFG. MGR.		SHEET		OF		USE		4W NAV		DATE		09-08-03		TITLE	
BB		DSN. ENG.		Q.A. APP.		FINAL APP.		1		2		DATE		09-08-03		TITLE		4 WIRE NAVIGATOR		DWG. NO.	
																				N45ANO-X	
REV. DATE		LTR		E.C.O. NO.		BY		CKR		ENG		DSN		MFG		QA		FNL			

Custom message and sound options definable by customer include:

- Custom locating tone
- Informational message
- Custom walk sounds/message
- Custom clearance sound
- Multiple languages (up to three, selectable by user)
- Street name in Braille on the sign

All above features along with many more are field selectable using a Configurator.

Available in three standard colors - Black, Green & Yellow  
 -X at end of part number specifies color:

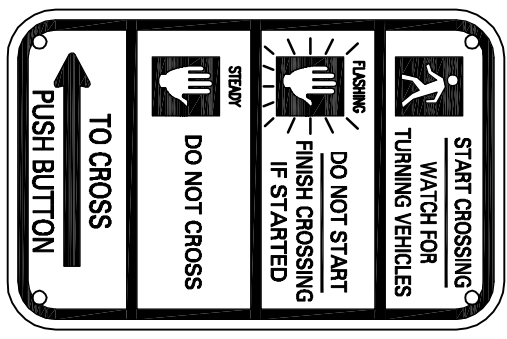
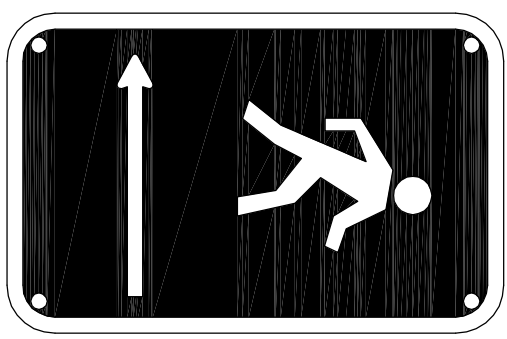
- B = Black, -G = Green, -Y = Yellow

Environmental: -40°F to 150°F

Push Button: ADA Compliant, raised tactile arrow on button, solid state switch rated to 20 million actuations minimum.

Construction: Cast aluminum, chem filmed, powder coated

PLATE MARKING OPTIONS



INFORMATION ON THIS DOCUMENT IS NOT TO BE USED, COPIED, REPRODUCED OR DISCLOSED IN WHOLE OR IN PART WITHOUT WRITTEN CONSENT OF POLARA

REV.	DATE	LTR	E.C.O. NO.	BY	CKR	ENG	DSN	MFG	QA	FNL
/										

**POLARA ENGINEERING INC.**  
 4115 W. ARTESIA AVE. FULLERTON, CA. 92833

TOLERANCES: .XXX ±.005 .XX ±.02 (EXCEPT AS NOTED)

DRAWN BY	CKR.	ENG. MGR	MFG. MGR	SHEET
BB				2 OF 2
DATE	DSN. ENG.	Q.A. APP	FINAL APP	USE
03-14-03				

TITLE: 4 WIRE NAVIGATOR  
 PUSH BUTTON STATION (PBS)

DWG. NO. N45AND-X