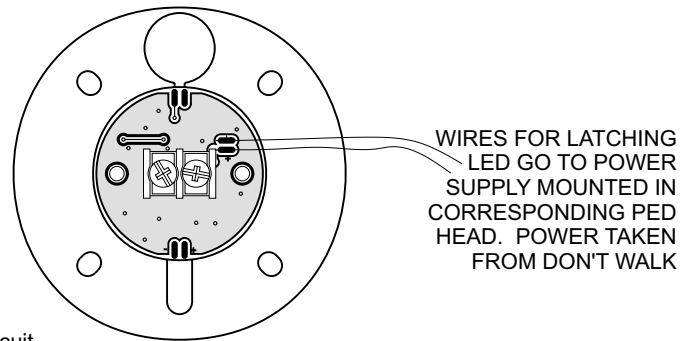
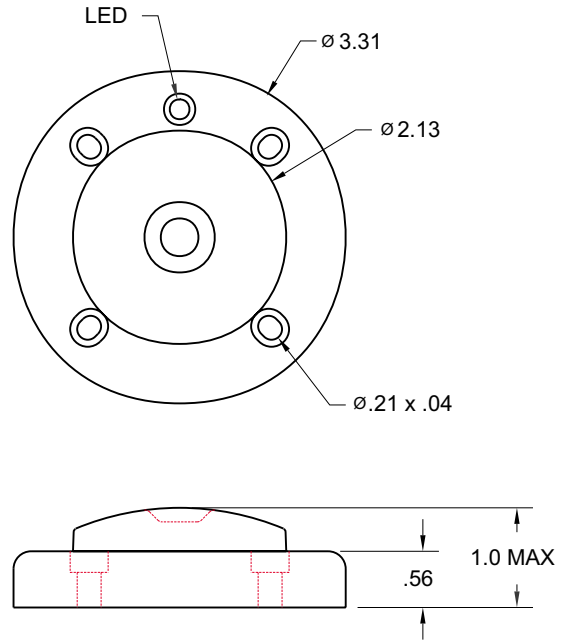
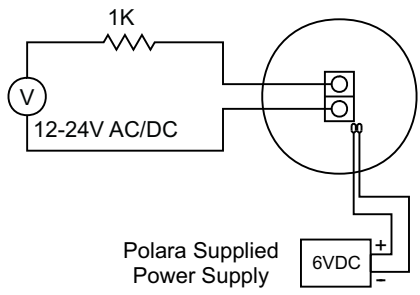


Polara's Bull Dog Ped Push Button



Suggested Test Circuit



INFORMATION ON THIS DOCUMENT IS PROPRIETARY TO POLARA AND SHALL NOT BE USED, COPIED, REPRODUCED OR DISCLOSED IN WHOLE OR IN PART WITHOUT WRITTEN CONSENT OF POLARA.

SPECIFICATIONS

This button is a highly vandal resistant button with essentially no moving parts. It is pressure activated, but can withstand an impact from a baseball bat or hammer. When the switch activates, you hear a beep and the LED lights and stays on until the walk cycle begins.

Body Material: Aluminum, Powder Coated

Colors: Green, Black, Silver & Yellow

To Specify color, add G for Green, B for Black

S for Silver or Y for Yellow in "x" position in part no.

Button Material: Aluminum, Hard Nickel Plated

Piezo Driven Solid State Switch:

Operating Temperature: -34°C to + 74°C

Operating Voltage: 12-24 V AC/DV (30V Peak MAX)

Switching Current: .1A Max

Operating Life: Greater than 20 million operations

LED:

Color: Ultra Bright Red

Operating Mode: Latched - Activates only during non-walk phases and stays on until beginning of walk phase.

Operating Voltage: 6 VDC, Requires Polara supplied transformer to be mounted in ped head and connected to "Don't Walk" power. One pair of 18-22 AWG wires must be routed from isolated power supply to push button.

Luminous Intensity: > 1500 mcd

Optimum Viewing Angle: 30°

Beeper:

Sounds for approx. 0.1 sec each time button is pressed.

Different tones for press and release.

2.3 kHz & 2.6 kHz

Beeper uses power from existing switch wires.

Revised - 01-31-01										<p>POLARA ENGINEERING INC. 4115 W. ARTESIA AVE. FULLERTON, CA. 92833</p>		
												TOLERANCES: .XXX ±.005 .XX ±.02 (EXCEPT AS NOTED)
DRAWN BY BB			CKR.		ENG. MGR.			MFR. ENG.		SHEET 1 OF 1		
DATE 05-03-00				Q.A. APP.			FINAL APP.			USE		
TITLE										DWG. NO.		
VANDAL RESISTANT PUSH BUTTON										BDLL-X		
REV. DATE	LTR	E.C.O. NO.	BY	CKR	ENG	MFR	QA	FNL				