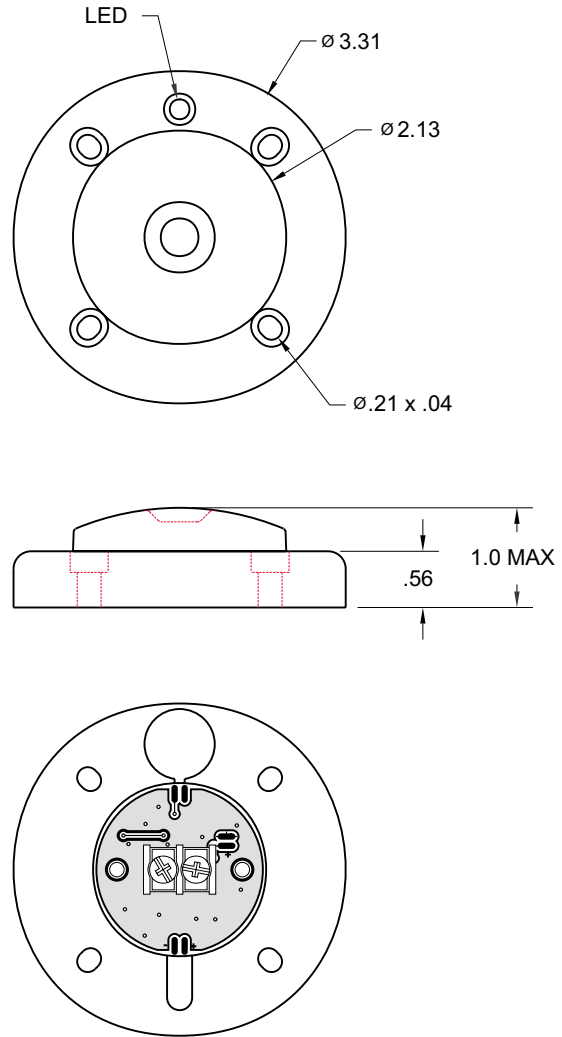


# Polara's Bull Dog Ped Push Button



## SPECIFICATIONS

This button is a highly vandal resistant button with essentially no moving parts. It is pressure activated, but can withstand an impact from a baseball bat or hammer. When the switch activates, you hear a beep and the LED flashes.

Body Material: Aluminum, Powder Coated

Colors: Green, Black, Silver & Yellow

To Specify color, add G for Green, B for Black

S for Silver or Y for Yellow in "x" position in part no.

Button Material: Aluminum, Hard Nickel Plated

Piezo Driven Solid State Switch:

Operating Temperature: -34°C to + 74°C

Operating Voltage: 12-24 V AC/DC (30V PEAK MAX)

Switching Current: .1A Max

Operating Life: Greater than 20 million operations

LED:

Color: Ultra Bright Red

Operating Mode: Approx. 0.1 sec flash each time button is pressed.

Luminous Intensity: > 1500 mcd

Optimum Viewing Angle: 30°

Beeper:

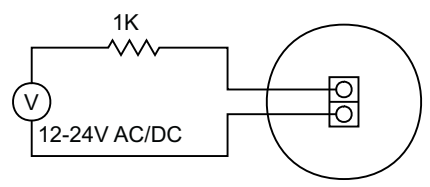
Sounds simultaneously with LED flash.

Different tones for press and release.

2.3 kHz & 2.6 kHz

LED and Beeper use power from existing switch wires.

Suggested Test Circuit



INFORMATION ON THIS DOCUMENT IS PROPRIETARY TO POLARA AND SHALL NOT BE USED, COPIED, REPRODUCED OR DISCLOSED IN WHOLE OR IN PART WITHOUT WRITTEN CONSENT OF POLARA.

Revised - 02-02-01								
REV. DATE	LTR	E.C.O. NO.	BY	CKR	ENG	MFR	QA	FNL

<b>4115 W. ARTESIA AVE. FULLERTON, CA. 92833</b>			
TOLERANCES: .XXX ±.005 .XX ±.02 (EXCEPT AS NOTED)			SCALE 1:2
DRAWN BY BB	CKR.	ENG. MGR.	MFR. ENG.
DATE 05-03-00	Q.A. APP.	FINAL APP.	USE
TITLE VANDAL RESISTANT PUSH BUTTON			DWG. NO. BDLM-X