

SPECIFICATIONS

This button is a highly vandal resistant button with essentially no moving parts. It is pressure activated, but can withstand an impact from a baseball bat or hammer. When the switch activates, you hear a two tone beep and the LED flashes.

Body Material: Aluminum, Powder Coated

Colors: Black, Silver, Green & Yellow

To specify color, add B for black, S for silver, G for green or Y for yellow in "X" position in part number.

Button Material: 316 Stainless Steel

Piezo Driven Solid State Switch:

Operating Temperature: -30°F to 165°F (-34°C to 74°C)

Operating Voltage: 15-36V DC or 12-28V AC

On Resistance: 10Ω Typical

Operating Life: Greater than 100 million operations.

Operating Standby Current: 10μA typical (equivalent to 2MΩ at 20V)

LED:

Operating Mode: Approx. 0.025 sec flash each time button is pressed.

Luminous Intensity: Greater than 1200 mcd (ultra bright red)

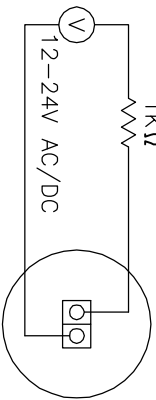
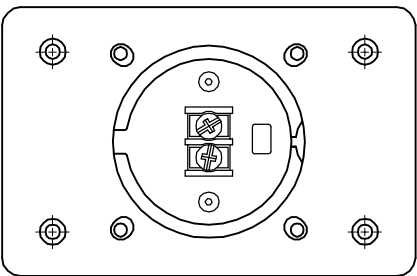
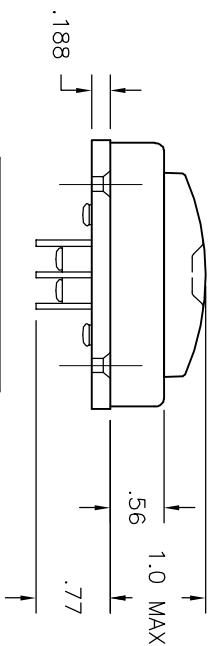
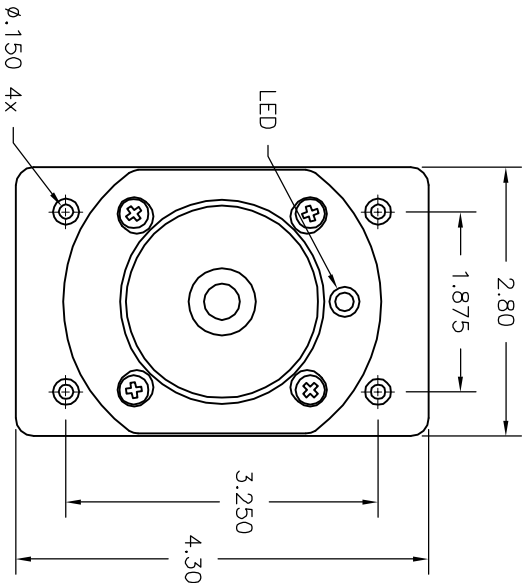
Viewing Angle: 160°

Beeper:

Sounds simultaneously with LED flash.

Different tones for press and release, 2.3 KHz & 2.6 KHz.

Beeper uses power from existing switch wires.



Suggested Test Circuit

Revised - 01/06/04

REV.	DATE	LTR	E.C.O. NO.	BY	CKR	ENG	DSN	MFG	QA	FNL

POLARIS ENGINEERING INC.
4115 W. ARTESIA AVE. FULLERTON, CA. 92833
TOLERANCES: .XXX ±.005 .XX ±.02 (EXCEPT AS NOTED) SCALE 1:2

DRAWN BY	CKR.	ENG. MGR.	MFG. MGR.	SHEET
BB				1 OF 1
DATE	DSN. ENG.	Q.A. APP.	FINAL APP.	USE
09-15-03				

TITLE
REES STYLE BULLDOG BUTTON
WITH MOMENTARY LED

DWG. NO.
RBDLM2-X

INFORMATION ON THIS DOCUMENT IS
FOR IDENTIFICATION PURPOSES ONLY.
IT IS NOT TO BE USED, COPIED, REPRODUCED,
OR DISCLOSED IN WHOLE OR IN PART
WITHOUT WRITTEN CONSENT OF POLARIS.